

Towerlights



Towerlight "Classic"

2 Different lens heights to accommodate your cabinet design. Standard for upright cabinets and mini for sit down versions.

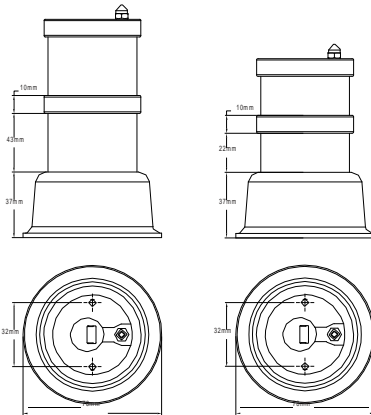
Standard available in chrome and gold plating.

Towerlights available in one, two or three lights and 6 different colours for various combinations. White shield foil made from special heat resistant Formex material.



Exploded view two lamps

All Classic towerlights are standard including UL approved wiring, separate ground strap and fitted with 12V - 3W 10mm wedge base lamps.



Towerlight "Diamond"

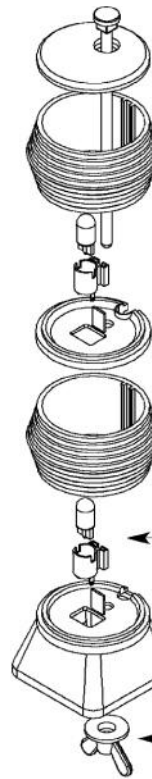
Available in black, chrome and gold plated. Efficient design!

Using a standard 10mm wedge base lampholder for easy lamp replacement.

Towerlights are available in one, two, three and four lights in 6 different colours. Available colours: red, orange, yellow, green, blue and white.

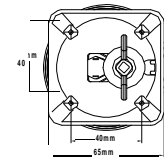
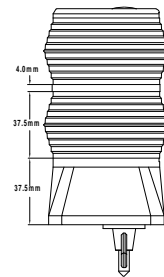


Assemblies are standard excluding harness and lamps, which can be supplied on customer specification.



Lamp holder
11-0090

Wing-nut
1060-086-2



Dimensions in millimeters

Part no.	Description
11-1741-X	Standard gold 1 lamp
11-1742-XX	Standard gold 2 lamps
11-1743-XXX	Standard gold 3 lamps
11-1781-X	Standard chrome 1 lamp
11-1782*	Standard chrome 2 lamps
11-1783*	Standard chrome 3 lamps
11-1841-X	Mini gold 1 lamp
11-1842-XX	Mini gold 2 lamps
11-1843-XXX	Mini gold 3 lamps
11-1881-X	Mini chrome 1 lamp
11-1882-XX	Mini chrome 2 lamps
11-1883-XXX	Mini chrome 3 lamps

* Standard supplied with the following coloured foils: red, orange, yellow, green, blue and white.

Part no.	Description
11-0301-X	Black frame 1 lamp
11-0302-XX	Black frame 2 lamps
11-0303-XXX	Black frame 3 lamps
11-0304-XXXX	Black frame 4 lamps
11-0381-X	Chrome frame 1 lamp
11-0382-XX	Chrome frame 2 lamps
11-0383-XXX	Chrome frame 3 lamps
11-0384-XXXX	Chrome frame 4 lamps
11-0341-X	Gold frame 1 lamp
11-0342-XX	Gold frame 2 lamps
11-0343-XXX	Gold frame 3 lamps
11-0344-XXXX	Gold frame 4 lamps

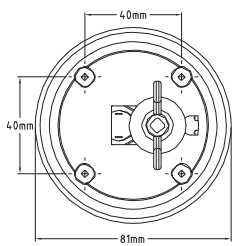
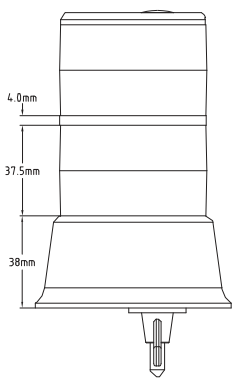
(X= Please specify colours and combination)



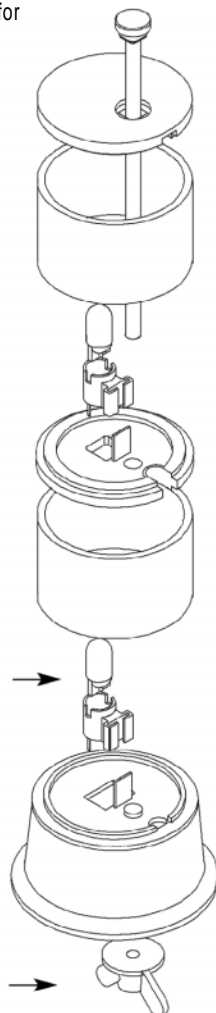
Towerlight "Candle"



- Available in black, chrome and gold plated design.
- Efficient design!
- Using a standard 10mm wedge base lampholder for easy lamp replacement.
- Towerlights are available in one, two and three lights and in 6 different colours.
- Available colours: red, orange, yellow, green, blue and white.
- Please specify colour and combination.
- Assemblies are excluding harness and lamps, which can be supplied on customer specification.



Dimensions in millimeters



Lampholder
11-0090

Wing-nut
1060-086-2

Towerlight "Light Train"

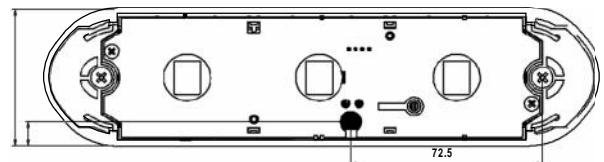
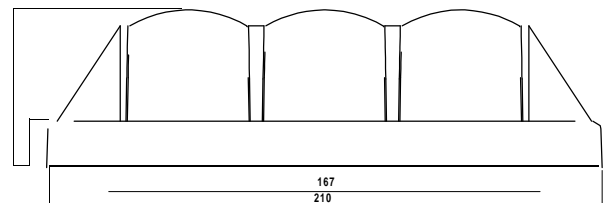


This new horizontal towerlight is in style with the latest development in Casino machines.

- Available with 1, 2 or 3 lenses, in colours red, orange yellow, green, blue and white transparent.
- Frame and blanks in bright chrome or gold finish.
- Standard equipped with 12V 3W wedge base lamps. (SLI)
- Better light-spread because of the use of special heat resistant lampdomes!
- Easy to mount, only two screws and additional hole to make!
- Special adaptor available for round top machines. (Also customised)

Part no.	Description
11-2042-XX	Light train 2 lamps gold
11-2043-XXX	Light train 3 lamps gold
11-2082-XX	Light train 2 lamps chrome
11-2083-XXX	Light train 3 lamps chrome

X=please specify colour of lenses



Light Train Towerlight Adaptor Bracket

This adaptor bracket offers the possibility to mount the Light Train Towerlight to round top machines.

- Available in: black, chrome and gold finish.
- Standard supplied in 260° radius.
- Custom shapes upon request.

Part no.	Description
11-0200	Light train base black 260° radius
11-0200-4	Light train base gold 260° radius
11-0200-8	Light train base chrome 260° radius

Part no.	Description
11-0401-X	Black frame 1 lamp
11-0402-XX	Black frame 2 lamps
11-0403-XXX	Black frame 3 lamps
11-0481-X	Chrome frame 1 lamp
11-0482-XX	Chrome frame 2 lamps
11-0483-XXX	Chrome frame 3 lamps
11-0441-X	Gold frame 1 lamp
11-0442-XX	Gold frame 2 lamps
11-0443-XXX	Gold frame 3 lamps

Towerlights / Card Signs



Rotary Beacon Light

- Bright 12 volt incandescent bayonet base bulb #1156
- 12 volt gear driven motor rotates reflecting shield around lamp
- New design with removable top cover provides easy bulb replacement
- T-10 Torx tamperproof screws used to retain dome for added security
- Suitable for upside down installation
- Available with inner or outer mounting plate
- Optional chrome ring for extra sparkle
- Replacement Bulbs available



Outer Mounting

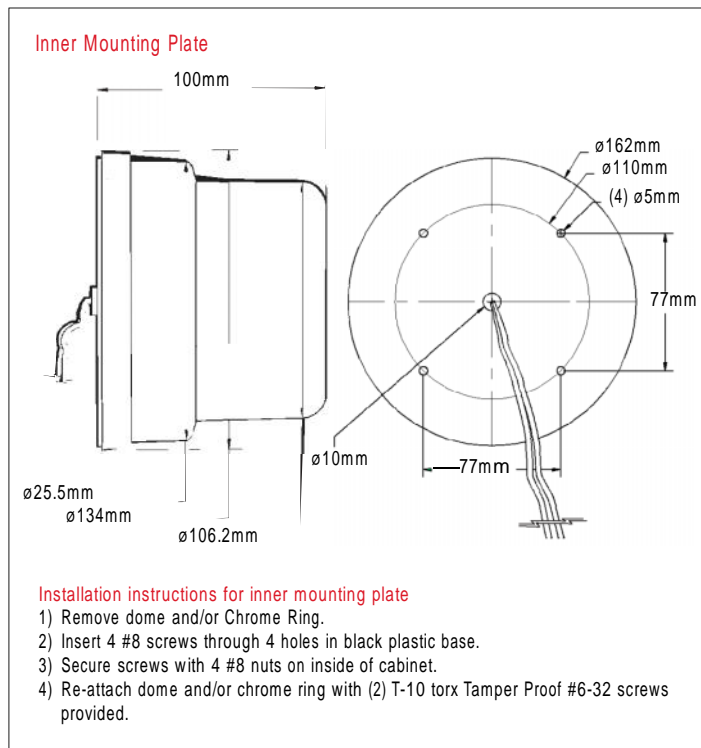


Card Signs

Denominational, promotional and game specific designs, everything is possible with these card signs. Simple mounting procedure: just slide a transparent tube, which hold card sign, over towerlight.

- Printed on standard or metallic material for shiny finish.
 - Available with gold or chrome coloured trim.
 - Size: 360 x 290mm (WXH).
 - **Customised artwork can be developed in the house!**
 - 4 Standard designs, more standard designs in preparation.
- Ask our salesteam for updates.

Part no.	Description
109-0104	Card sign "Hot New Machine" gold trim
109-0104-1	Card sign "Mystery Jackpot" gold trim
109-0108	Card sign "Hot New Machine" chrome trim
109-0108-1	Card sign "Mystery Jackpot" chrome trim
109-0114	Card sign "Linked Jackpot" gold trim
109-0114-1	Card sign "Poker" gold trim
109-0118	Card sign "Linked Jackpot" chrome trim
109-0118-1	Card sign "Poker" chrome trim



Tubes and mounting foot for card signs

These tubes come in different lengths and thicknesses. The model and size depends on the style of the towerlight. Standard from stock we supply tubes for Classic, Diamond, Candle (Atronic), Square (Orion Gaming) and Aristocrat towerlights. Length depends on amount and style of lenses. **XXX=Please specify amount of lenses. (height)**



Part no.	Description
109-0010-XXX	Tube for "Classic" Towerlight (specify mini or regular)
109-0011-XXX	Tube for "Candle" Towerlight
109-0012-XXX	Tube for "Diamond" Towerlight
109-0013-XXX	Tube for "Orion" Towerlight
109-0014-XXX	Tube for "Aristocrat" Towerlight

Part no.	Description
109-0005	Metal foot for cardsign

Part no.	Colour	Mounting Plate	Chrome Ring
H95-0115-10I	Red	Inner	No
H95-0115-12I	Blue	Inner	No
H95-0115-13I	Green	Inner	No
H95-0115-17I	Amber	Inner	No
H95-0115-10IC	Red	Inner	Yes
H95-0115-12IC	Blue	Inner	Yes
H95-0115-13IC	Green	Inner	Yes
H95-0115-15IC	Yellow	Inner	Yes
H95-0115-17IC	Amber	Inner	Yes
H95-0115-10U	Red	Outer	No
H95-0115-12U	Blue	Outer	No
H95-0115-13U	Green	Outer	No
H95-0115-15U	Yellow	Outer	No
H95-0115-17U	Amber	Outer	No
H95-0115-10UC	Red	Outer	Yes
H95-0115-12UC	Blue	Outer	Yes
H95-0115-13UC	Green	Outer	Yes
H95-0115-15UC	Yellow	Outer	Yes
H95-0115-17UC	Amber	Outer	Yes

Card Signs

Denominational Card Signs

- Easy identification per machine.
- Attractive and clear picture of relevant coin.
- Every denomination has its own background colour.
- Available with chrome or gold coloured trim.



Part no.	Description
109-0118-7	Card sign 10 Eurocent chrome trim
109-0114-7	Card sign 10 Eurocent gold trim
109-0060-7	Card sign 10 Eurocent without trim



Part no.	Description
109-0118-11	Card sign 2 Euro chrome trim
109-0114-11	Card sign 2 Euro gold trim
109-0060-11	Card sign 2 Euro without trim



Part no.	Description
109-0118-4	Card sign 1 Eurocent chrome trim
109-0114-4	Card sign 1 Eurocent gold trim
109-0060-4	Card sign 1 Eurocent without trim



Part no.	Description
109-0118-8	Card sign 20 Eurocent chrome trim
109-0114-8	Card sign 20 Eurocent gold trim
109-0060-8	Card sign 20 Eurocent without trim

Towerlight Toppers



Part no.	Description
109-0118-5	Card sign 2 Eurocent chrome trim
109-0114-5	Card sign 2 Eurocent gold trim
109-0060-5	Card sign 2 Eurocent without trim



Part no.	Description
109-0118-9	Card sign 50 Eurocent chrome trim
109-0114-9	Card sign 50 Eurocent gold trim
109-0060-9	Card sign 50 Eurocent without trim



Part no.	Description
109-0118-6	Card sign 5 Eurocent chrome trim
109-0114-6	Card sign 5 Eurocent gold trim
109-0060-6	Card sign 5 Eurocent without trim



Part no.	Description
109-0118-10	Card sign 1 Euro chrome trim
109-0114-10	Card sign 1 Euro gold trim
109-0060-10	Card sign 1 Euro without trim

- These **Towerlight Toppers** are available with chrome or gold trim, to match your towerlight and machine frame colour.
- Artwork can be screenprinted on the white inlay or easily printed on a transparent sheet. This way its a matter of minutes to change artwork and cost effective for small numbers.
- The towerlight topper is equally illuminated by 6 standard wedgebase lamps.
- The towerlight topper can be mounted on top of the Classic and Classic mini towerlight.
- Alternatively you can mount it on other brands of towerlights to enhance the look of your machines.
- Power consumption 12V - 7.2Watts

Part no.	Description
109-0354	Towerlight topper gold trim
109-0358	Towerlight topper chrome trim

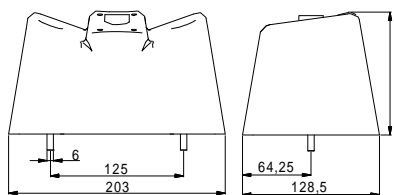
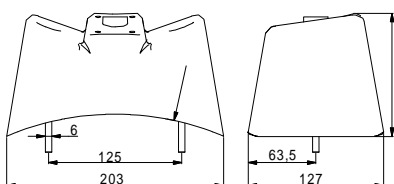
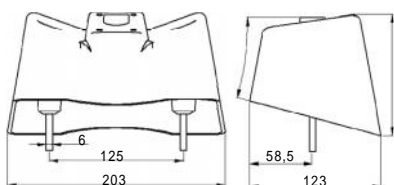
Unitoppers



ELLIPSE

- Unitopper line features three unique highly styled designs for all gaming cabinets ready for quick delivery.
- Creates excitement and set your theme games apart with attention grabbing Unitoppers.
- Whole unit operates on a safe 12VDC.
- Artwork and effect graphic panels (not included) are backlit by a 11 Watt SL Lamp.
- Different attract modes in a program such as twinkling, full on, rotating left to right and right to left, filling rotation etc. Standard supplied with 32 bright white LED's. (2 different light brightness selections on the Unitopper control board)
- Standard supplied with bright chrome bezel, black chrome and bright gold bezels available separately.
- Reduced depth body styles (Ringo and Ellipse only 130 mm, shield 150 mm deep)
- Inside is paint sprayed white for better light spread!
- All designs feature a mounting location and through holes for towerlights in the top of the body.
- Flat angled or radius base options for different cabinet configurations, easy mounting with two screw threads.
- Metal mounting bracket available for mounting on existing towerlight fitting holes, to be used in conjunction with mounting bracket.
- Optional towerlight!
- Engineering, assembly and graphic panel drawings and artwork templates are available.
- Custom designs for OEM's possible.

All artwork creation, setup and film charges are not included!



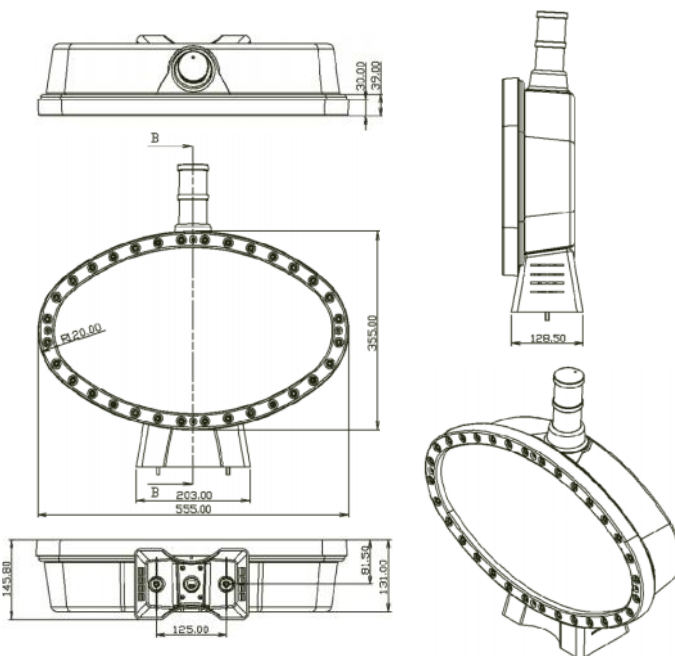
Mounting brackets



Adaptor bracket for towerlight holes



Mounting brackets in chrome



All Unitoppers are supplied without towerlight, base and artwork

Part no.	Description
104-0001	Adaptor bracket for towerlight holes
104-0010-1	Mounting bracket 15° slanting
104-0010-8	Mounting bracket 15° slanting chrome
104-0015-1	Mounting bracket 260° curved for round top
104-0015-8	Mounting bracket 260° curved for round top chrome
104-0020-1	Mounting bracket flat
104-0020-8	Mounting bracket flat chrome

Part no.	Description
104-05890	Ellipse compact topper chrome
104-0070	Ellipse black chrome bezel kit
104-0070-4	Ellipse gold bezel kit

Complete Unitoppers standard supplied with chrome bezel