

GEN2 (PSA-66-ST2)

Part no.	Description
46-0300	Thermal printer Gen2

ITH™ (Intelligent Ticket Handling)
Ticket Available ONLY after Fully Printed Internally & Automatically Burst

Superior Electro-Mechanical Design
High Reliability and Easy Maintenance

ProMatrix™ Technology
Promotional Matrix Couponing System

PromoPort™ Architecture
Dedicated Promotional Printing Port

ProColor™ Printing
Readily Available 2-Color Printing Technology

Expanded Graphics Memory
Stores Thousands of Coupon Permutations with 1MB of Memory

USB Communications
Future GSA Compliant

TRT™ (Tamper Resistant Ticket)
Eliminates Counterfeit Tickets

FlashPod™
Upload Promotional Campaigns and Firmware Upgrades

Hot Swappable
Printer Removal Without Powering Down

FutureLogic's new second generation thermal printers, Gen2™ (PSA-66-ST2) builds on the exceptional success of the industry's first and leading cashless ticket printer, the PSA-66-ST. While maintaining the robustness and reliability of its predecessor, Gen 2 offers improvements such as ITH™ (Intelligent Ticket Handling), ProMatrix™, PromoPort™, ProColor™, FlashPod™, and TRT™ technology.

The ITH technology alone sets the printer apart from competing thermal printers by making the "cashout ticket" available ONLY after the ticket is fully printed internally and automatically burst. GEN2 also offers new technological advances such as the introduction of their Promotional Matrix Couponing System, a dedicated promotional printing port, color printing capability, and the option to store up to 1000 coupon templates in an 8MB chip.

Other enhancements include the addition of a USB communication port (future GSA compliant) and a separate port for convenient firmware upgrades using a handheld download tool (FlashPod™) without the need to remove the printer from the slot machine.

For a comprehensive list of features and technical specifications, please contact FutureLogic engineers at info@futurelogic-inc.com.

Promotional Printing

Template Capacity:	100 Coupons (1MB); 1000 Coupons (8MB)
Graphic Storage:	768K
Colour Printing:	Red on black and blue on black are available. Other colours can be supported as the print media becomes available

General Specifications

Dimensions:	W110 mm x D304.8 mm x H64.3 mm
Weight:	1.25 kgs
Sensors:	Paper Low, Paper Out, Printer Drawer Open, Ticket taken, Ticket Jam, Ticket in Chute, Black Mark
Printing Speed:	90mm / Sec (3.5"/ Second)
Print and Present:	2.2 Seconds
Printing Width:	62mm (true near-edge printing)
Storage:	300 Tickets, (Extensions for 600 or 900 tickets available)
Firmware:	Application in memory is re-programmable
Self test:	Yes
Page Mode:	Full page mode printing, (simultaneous 4 orientation printing 0°, 90°, 180° and 270°)
Paper Loading:	Automatic hands free
Method:	Direct thermal, top coated, fanfold and perforated
Width:	66mm
Length:	156mm

Characteristics

Printer Languages:	TCL printer language
Fonts:	4 (5.5 cpi, 7.5cpi, 10 cpi, 20 cpi)
Bar codes:	Interleaved 2 of 5, Code 39, UPC-A, UPC-E, UPC-E+2, UPC-E+5, Codabar, EAN-13, EAN-8, Code 128, MSI

Interface

Communications:	Bi directional RS232C, Full handshaking set, Netplex
-----------------	--

Environmental

Operating temperature:	0-70°C
Operating humidity:	5 to 95% RH

Reliability

Printer head life:	50km Min. (320.0000 tickets based on US currency)
--------------------	---



GEN2 VST™ (PSA-66V-ST2)

ITH™ (Intelligent Ticket Handling)

Ticket Available ONLY after Fully Printed Internally & Automatically Burst

Superior Electro-Mechanical Design

High Reliability and Easy Maintenance

ProMatrix™ Technology

Promotional Matrix Couponing System

PromoPort™ Architecture

Dedicated Promotional Printing Port

ProColor™ Printing

Readily Available 2-Color Printing Technology

Expanded Graphics Memory

Stores Thousands of Coupon Permutations with 1MB of Memory

USB Communications

Future GSA Compliant

TRT™ (Tamper Resistant Ticket)

Eliminates Counterfeit Tickets

FlashPod™

Upload Promotional Campaigns and Firmware Upgrades

Hot Swappable

Printer Removal Without Powering Down

Part no.	Description
46-0305	Thermal printer Gen2 VST



FutureLogic's new vertical format cashless gaming printer GEN2 VST™ — the vertical configuration of the company's popular GEN2™ thermal printer — is compact and is specifically designed for space-saving slim-top gaming machines. Like GEN2, GEN2 VST offers improvements such as ITH™ (Intelligent Ticket Handling), ProMatrix™, PromoPort™, ProColor™, FlashPod™, and TRT™ technologies.

This vertical format printer incorporates FutureLogic's patented ITH™ (Intelligent Ticket Handling) technology by making the "cashout ticket" available ONLY after the ticket is fully printed internally and automatically burst. GEN2 VST also offers new technological advances such as the introduction of Promotional Matrix Couponing System, a dedicated promotional printing port, and color printing capability — with the standard 1MB chip on board, every GEN2 VST is equipped to store hundreds of clip art objects and produce thousands of coupon permutations for a wide range of promotional campaigns.

Other enhancements include the addition of a USB communication port (future GSA compliant) and a separate port for convenient firmware upgrades using a handheld download tool (FlashPod™) without the need to remove the printer from the slot machine.

For a comprehensive list of features and technical specifications, please contact FutureLogic engineers at info@futurelogic-inc.com.

Promotional Printing

Template Capacity:	100 Coupons (1MB); 1000 Coupons (8MB)
Graphic Storage:	768K
Colour Printing:	Red on black and blue on black are available. Other colours can be supported as the print media becomes available

General Specifications

Dimensions:	W130 mm x D159 mm x H229 mm
Weight:	2.25 kgs
Power requirements:	24 VDC at 2.7 AMP
Sensors:	Paper Low, Paper Out, Printer Drawer Open, Ticket taken, Ticket Jam, Ticket in Chute, Black Mark
Printing Speed:	90mm / Sec (3.5"/ Second)
Print and Present:	2.2 Seconds
Printing Width:	62mm (true near-edge printing)
Storage:	400 Tickets,
Resolution:	8 dots / mm (203dpi)
Firmware:	Application in memory is re-programmable
Self test:	Yes
Page Mode:	Full page mode printing, (simultaneous 4 orientation printing 0°, 90°, 180° and 270°)
Paper Loading:	Automatic hands free
Paper Feed:	Manual
Method:	Direct thermal, top coated, fanfold and perforated
Width:	66mm
Length:	156mm
Bezel Control:	2 high current ticket printing bezel control ports
Upgrade Port:	printer upgrades via flashpod download tool
Hot Swappable:	100%

Characteristics

Printer Languages:	TCL printer language
Fonts:	4 (5.5 cpi, 7.5cpi, 10 cpi, 20 cpi)
Bar codes:	Interleaved 2 of 5, Code 39, UPC-A, UPC-E, UPC-E+2, UPC-E+5, Codabar, EAN-13, EAN-8, Code 128, MSI

Interface

Communications:	Bi directional RS232C, Full handshaking set, Netplex
-----------------	--

Environmental

Operating temperature:	0-70°C
Operating humidity:	5 to 95% RH

Reliability

Printer head life:	50km Min. (320.0000 tickets based on US currency)
--------------------	---

Thermal Printer

www.leisureherrero.com



NEW

Front



Slot Machine Thermal Tickets

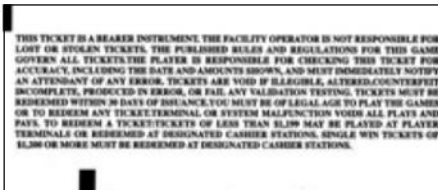
- Tested and qualified for Futurelogics printers IGT EZ-Pay system
- Thermal paper with excellent performance and reliability
- Special "Micro-Perf" perforation allows tickets to be removed easily and smoothly without pulling out additional tickets
- The size of a dollar bill, 65mm x 156mm
- Paper can be pre-printed with your custom logo or design up to four colours on side with the "eye-spot"
- Packed 200 sheets per pack; 80 packs per case; total 16.000 per case
- Priced in packs of 200 sheets
- Blank ticket minimum purchase: 80 packs (1 case of 16.000 sheets)
- Custom ticket minimum purchase: 1.600 packs (20 cases of 320.000 sheets)

Back B

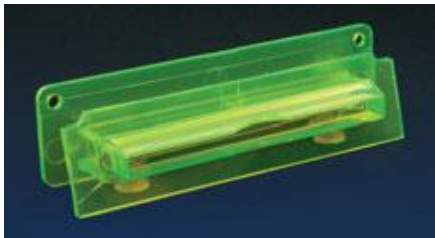


Part no.	Description
H27-1500-00	Blank tickets with printed sensor mark, 200 Sheets per pack
A H27-1500-10	Ticket with printed disclaimer and sensor mark, 200 sheets per pack
B H27-1500-XX	Tickets custom printed, black and 1 additional colour
H27-1500-XXX	Tickets custom printed, black and 2 additional colours
H27-1500-XXXX	Tickets custom printed, black and 3 additional colours

Back A



Custom Printed Orders: Tickets can be printed with your custom logo or design up to four colors. There is no set-up or artwork charge if camera ready artwork is supplied. If camera ready art is not available, it can be created from a business card or brochure that has a logo on it. The cost is \$125.00 per color, which is a one-time charge. A proof will be submitted to you for approval. Delivery will be 2 to 3 weeks after receipt of signed proof approval. A minimum order of 1,600 packs or 20 cases is required for orders with custom printing.



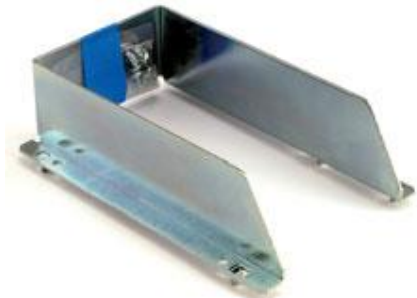
Short Bezel

Part no.	Description
46-0311	Short bezel



Bezel Bracket

Part no.	Description
46-0315	Bezel bracket



Tray Extender 600 Tickets

Part no.	Description
46-0318	Tray extender



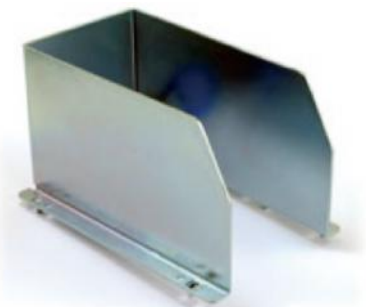
Bezel Assembly

Part no.	Description
46-0312	Bezel assembly



RS232 Interface Cable

Part no.	Description
46-0322	RS232 interface cable



Tray Extender 900 Tickets

Part no.	Description
46-0319	Tray extender



PCB Assembly for GEN2

Part no.	Description
46-0327	PCB Assembly for GEN2



PCB Assembly for Vision Upright

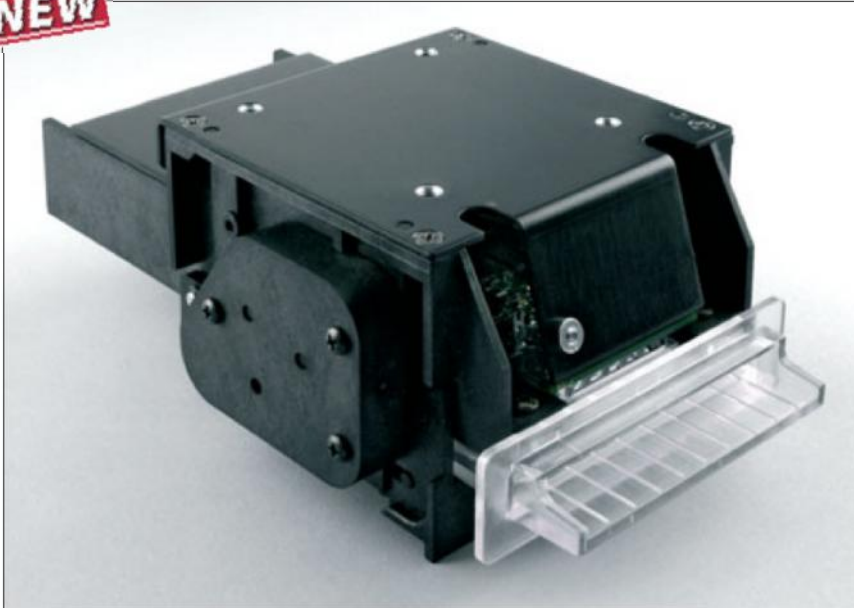
Part no.	Description
46-0317	PCB Assembly for Vision Upright

For all Futurelogics parts please contact your nearest Leisure Herrero office



FOR TICKET-IN-TICKET-OUT APPLICATIONS

NEW



"The New Ticket Scanner builds on the TITO technology that has made FutureLogic the leading manufacturer of thermal ticket printers for cashless gaming. Developed with design feedback from global gaming OEMs and casinos, the Ticket Scanner is compact and specifically designed for player tracking modules, side-mount boxes and space saving slim-top gaming machines.

The Ticket Scanner when used in conjunction with FutureLogic Thermal Ticket Printers for Ticket-In-Ticket-Out Applications, will accept, read and validate bar coded gaming tickets. When a bar coded ticket is inserted into the Ticket Scanner module it will automatically scan the bar code and transmit the information to the host system for validation. If the information stored within the bar code is valid, the ticket is accepted and the Ticket Scanner will transfer the ticket through to a storage box. If the host machine does not recognize the bar code, the Ticket Scanner will reject the ticket and return it back to the user.

The bezel lights inform you about the status of the Ticket Scanner.

LED on: Unit is ready to except tickets

LED off: Unit is inhibited

FLASHING FAST: Unit is in operation both accepting and rejecting

FLASHING SLOW: There is a problem with the unit such as a ticket jam or the unit has lost communication with the host

General Specifications

Dimensions:	W94 mm x D155 mm x H64.3 mm
Communications:	RS232 Comm port
Bar codes:	Interleaved 2 of 5
	Code 39
	UPC-A
	UPC-E
	UPC-E+5
	Codabar
	EAN-13
	EAN-8
	Code128
	MSI

Part no.	Description
46-0500	Ticket Scanner

Microswitches

www.leisureherrero.com



Cherry Microswitch

- For replacement on joysticks and pushbuttons etc.
- 75 gram actuating force.

Part no.	Description
22-0731-2	With 6.3mm .250" terminal
22-0750-2	With 4.8mm .187" terminal



Door Switch Brackets

Part no.	Description
22-0099	Bracket for 22-0745
22-0099-1	Bracket for 22-0745



Double Pole Toggle Switch

- Change over switch, double pole/double throw.
- Mounting nuts included.

Part no.	Description
22-0032	Toggle switch



Microswitch for Subminiature Buttons

- With 2.8mm (.110") terminals.

Part no.	Description
22-0744-2	Microswitch Cherry



Crouzet Microswitch

- Type: F83161 - 16 Amp 250VAC.
- With 6.3mm .250" terminals.

Part no.	Description
22-0732	Microswitch



SAIA Switch

- Type: XCF8 - 30 gram.
- Can be used with different arms.
- With PCB mounting pins.
- Replacement for Starpoint Advance Technology

Part no.	Description
22-0760-8	30 gram force switch



Cherry Door Switch Single Pole

- Available with 4.8mm .187" or 6.3mm .250" terminals.
- Available in push or push/pull version.

Part no.	Description
22-0745	Door switch push/pull 6.3mm
22-0745-1	Door switch push 4.8mm
22-0745-2	Door switch push 6.3mm
22-0745-3	Door switch push/pull 4.8mm



SAIA Switch

- Micro switch type: XCH10-J5.
- Side print mounting.

Part no.	Description
22-0760-520	Microswitch



Arm for SAIA Switch

- Can be used for switch:
- 22-0760-8.
- 22-0760-510.

Part no.	Description
22-0761-1	17.5mm arm
22-0761-2	25mm arm
22-0761-5	40mm arm



Cherry Door Switch Double Pole

- Available with 4.8mm .187" or 6.3mm .250" terminals.
- Available in push or push/pull version.

Part no.	Description
22-0746	Door switch push/pull 6.3mm
22-0746-1	Door switch push/pull 4.8mm
22-0746-2	Door switch push 4.8mm
22-0746-3	Door switch push/pull 6.3mm



Single Pole Toggle Switch

- On-Off Switch.
- For AC or DC 250V / 2 Amp.
- Mounting nuts included.

Part no.	Description
22-0031	Toggle switch



SAIA Microswitch

- Arm length 61mm. Type: XGC2-P27
- With 6.3mm .250" terminals.

Part no.	Description
22-0072-1	15gr force switch

- Arm length 61mm. Type: XGC2-P47
- With 6.3mm .250" terminals.

Part no.	Description
22-0072-2	5gr force switch

Microswitches



Marquard Microswitch

- Type: 1040-0101 - Coin switch including wire and retaining clip.
- With 2.8mm .110" terminals.

Part no.	Description
22-0050	Microswitch



Busy-B Coin Switch

- For most mechanical Coin acceptors.
- Available in three forces actions.
- With 6.3mm .250" terminals.

Part no.	Description
22-0735	Light action
22-0736	Medium action



Cherry Microswitch

- Type: CE51.- Single pole-double throw.
- Switching clockwise.
- Quick connect terminals: 6.3mm .250".

Part no.	Description
22-0728	Microswitch



Switch Wire/Retaining Clip

- Switch wire and retaining clip for above micro switches.

Part no.	Description
22-0730-1	Switch wire
22-0730-2	Wire clip



Crouzet Coin Switch

- With 6.3mm .250" terminals.

Part no.	Description
22-0734-1	Coin switch



Cherry Microswitch

- Type: E1300H - 15 Amp 110-220V.
- Used on STC and Bally hoppers.

Part no.	Description
22-0715	Microswitch



USA Microswitch

- Used as safety timer switch in Bally slotmachines.

Part no.	Description
22-0712	Microswitch



Cherry Microswitch

- Arm length 40mm, 4.8mm, .187"terminals; 15gr force.

Part no.	Description
22-0072-12	Microswitch



SAIA Microswitch

- Arm with roller shape, length 20mm.
- Type XGC2-L20 - 25gr force.
- With 6.3mm .250" terminals.

Part no.	Description
22-0719-1	Microswitch



Cherry Microswitch

- Arm with roller, length 20mm.
- Type:UD433-V3RA / 2A-110/250V
- With 6.3mm .250" terminals.

Part no.	Description
22-0719-2	Microswitch



SAIA Microswitch

- Arm with roller, length 28.5mm.
- Type: XGK3-S21.
- With 6.3mm .250" terminals.

Part no.	Description
22-0704	Microswitch



Anti-Slam Tilt Switch Medium Weight

- Made with gold flash contact points.
- Easy to mount on panel or door.

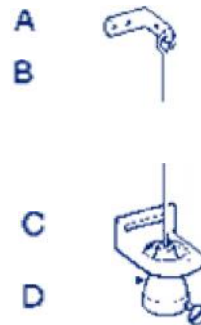
Part no.	Description
22-2201-11	Anti slam switch



Anti-Slam Tilt Switch Heavy Weight

- Made with gold flash contact points.
- Easy to mount on panel or door.

Part no.	Description
BASW-A20	Anti slam switch



Tilt Assembly

Part no.	Description
BP7783-1000	A. Tilt hanger
BM175	B. Wire
BP7750	C. Contact ring
BE138-3	D. Tilt bob

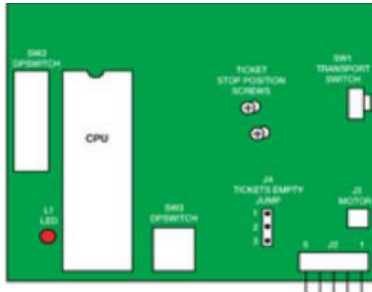
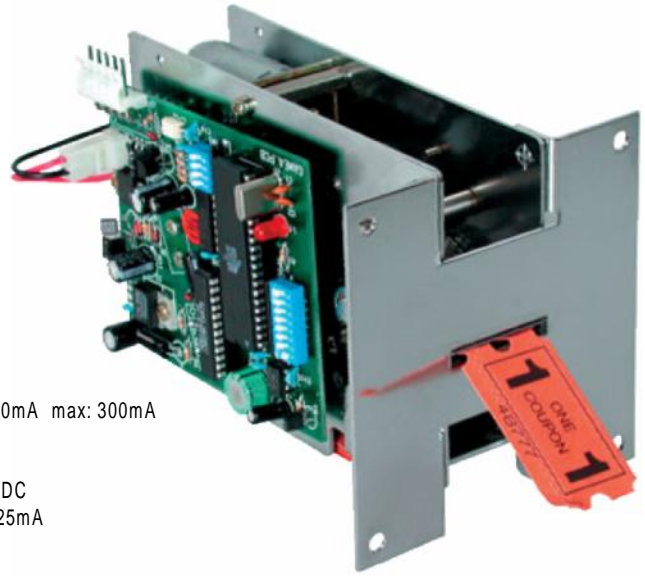
Ticket Dispenser



Model 108

The dispenser is controlled by the software of the host machine. The host machine turns on the dispenser with a 12VDC high/low signal and monitors a return notch signal from the ticket dispenser to turn it off. It will dispense as many tickets as game options allow.

Part no.	Description
45-0108	Ticket dispenser



- Pin1: Red +12V±10% Min: 50mA max: 300mA
- Pin2: Black Ground
- Pin3: Green -Input pulse
- Pin4: Orange +Input pulse +12VDC
- Pin5: White Tickets empty 5V 25mA

Stop position Ticket: Ticket stop positions screw calibration
 The number of pulses for 1 Ticket: Setting SW 2 DIP 1-8 en SW3 DIP 4 ON=0 OFF=1 (see table 1)
 Puls length input: Setting SW 3 DIP 1-2 ON=1 OFF=0 (see table 2)
 Remainder pulses: Setting SW 3 DIP 3 ON=1 OFF=0 (see table 3)
 Input new tickets: Transport switch SW1
 Tickets empty jump: 1+2 Jump: empty signal =low, 2+3 Jump: empty signal high

Can be used with 2 sizes of tickets: 1" and 1-5/32" wide.

Table 1 0=On 1=Off

SW2 1	SW2 2	SW2 3	SW2 4	SW2 5	SW2 6	SW2 7	SW2 8	SW3 4	Pulses:Ticket
1	0	0	0	0	0	0	0	0	1:1
0	1	0	0	0	0	0	0	0	2:1
0	0	1	0	0	0	0	0	0	4:1
0	0	0	1	0	0	0	0	0	8:1
0	0	0	0	1	0	0	0	0	16:1
0	0	0	0	0	1	0	0	0	32:1
0	0	0	0	0	0	1	0	0	64:1
0	0	0	0	0	0	0	1	0	128:1
0	0	0	0	0	0	0	0	1	256:1

Table 2 0=On 1=Off

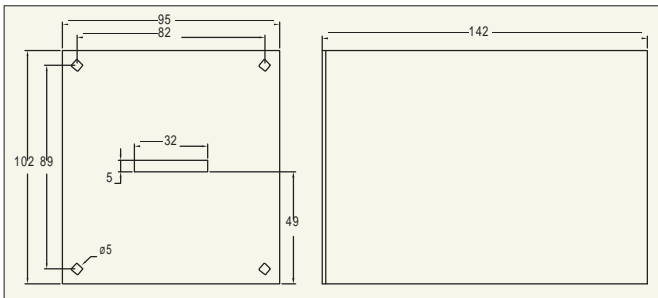
SW3 1	SW3 2	Pulse length
0	0	16MS
0	1	24MS
1	0	32MS
1	1	40MS

Table 3 0=On 1=Off

SW3 3	
0	Remainder Return
1	Remainder Hold

Example: For 150 pulses 1 ticket SW2: DIP8+5+3+2 OFF

Dimensions






Vending/ Jackpot Tray

- Tray size 240x72mm, frame size 245x102mm.
- Made from diecast material, chrome plated.

Part no.	Description
22-3850	Vending/jackpot tray



Tickets

- Renew players interest with tickets for awards and bonuses - and keep them playing again and again.

- Standard tickets available in one colour.
- Also available on customers specifications. Please ask for more details!

Minimum quantity for customers specifications: 50 x 2000 pcs.

Part no.	Description
45-0200-XX	Tickets standard
45-0201-XX	Tickets custom specification
-XX Specify colour	

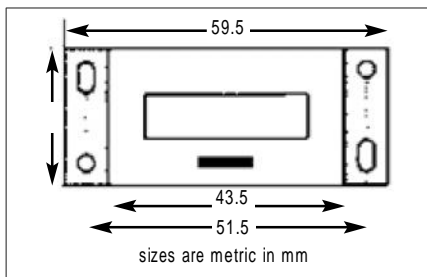


Base Mount Reset Counter

- Has 5 digits (size 4mm), counting up to 999.99 and reset with button.
- White plastic transparent housing, flying leads.

Technical details:

Pulse timing: VDC 15 Imp/sec - VAC 10 Imp/sec
 Cycle: 50% Imp. pause Available
 in: 6 - 12 - 24VDC - 48VAC
 Power consumption: VDC 140/180mA
 VAC 12.5/25mA
 Depth: 60.3mm
 Weight: 70 gram



Part no.	Description
27-0063	Counter 48VAC
27-0064	Counter 24VDC
27-0065	Counter 12VDC
27-0066	Counter 6VDC



Non-Reset 6 Digits Panel Mount Counter

- Has 6 digits, counting up to 999.999 than repeat.
- Black plastic housing.
- Numbers 3.5mm high, white numerals on black field.

Technical details:

Pulse timing: 15 Imp/sec
 Cycle: 50% Imp. pause
 Available in: 6 - 12VDC
 Power consumption: VDC 0.8W
 Hole size: 30.5 X 23mm
 Weight: 30 gram

Part no.	Description
27-0045	Counter 12VDC
27-0046	Counter 6VDC



Non-Reset 7 Digits Panel Mount Counter

- Has 7 digits, counting up to 999.9999 than repeat.
- Black plastic housing.
- Numbers 3.5mm high, white numerals on black field.
- Flying leads connection.
- Only available in 12VDC.

Technical details:

Pulse timing: 15 Imp/sec
 Cycle: 50% Imp. pause
 Power consumption: VDC 0.8W
 Hole size: 30.5 X 23mm
 Weight: 30 gram

Part no.	Description
27-0145	Counter 12VDC, 7 digits

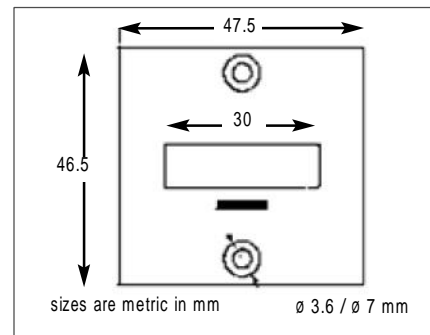


Panel Mount Reset Counter

- Has 5 digits (size 4mm), counting up to 999.99 and reset with button.
- White plastic transparent housing, flying leads.

Technical details:

Pulse timing: VDC 15 Imp/sec - VAC 10 Imp/sec
 Cycle: 50% Imp. pause
 Available in: 6 - 12 - 24VDC - 48VAC
 Power consumption: VDC 140/180mA
 VAC 12.5/25mA
 Depth: 58.5mm
 Panel cut-out: 44 X 25.5mm
 Weight: 70 gram



Part no.	Description
27-0073	Counter 48VAC
27-0074	Counter 24VDC
27-0075	Counter 12VDC
27-0076	Counter 6VDC



Base Mount 6 Digits Counter

- Has 6 digits (size 3.5mm) counting up to 999.999.
- Black plastic housing, flying leads.

Technical details:

Pulse timing: 15 Imp/sec
 Cycle: 50% Imp. pause
 Available in: 6 - 12VDC
 Power consumption: VDC 0.8W
 Depth: 43mm
 Weight: 30 gram

Part no.	Description
27-0016	Base Counter 6VDC
27-0015	Base Counter 12VDC



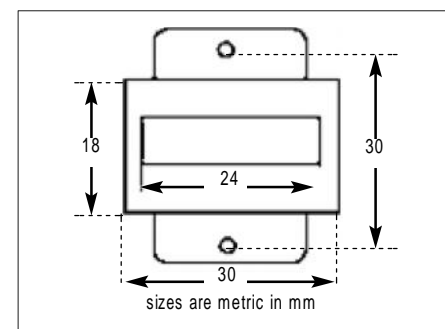
Non-Reset 7 Digits Base Mount Counter

- Has 7 digits, counting up to 999.9999 than repeat.
- Black plastic housing.
- Numbers 3.5mm high, white numerals on black field.
- Flying leads connection.
- Only available in 12VDC.

Technical details:

Pulse timing: 15 Imp/sec
 Cycle: 50% Imp. pause
 Power consumption: VDC 0.8W
 Depth: 43mm
 Weight: 30 gram

Part no.	Description
27-0115	Base Counter 12VDC, 7 digits



Dimensions for part nr. 27-0015, 27-0016 and 27-0115

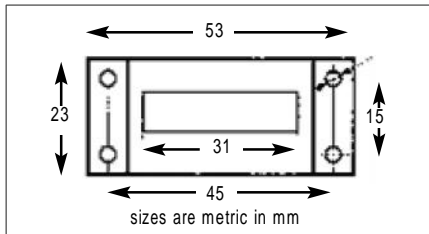


Base Mount Counter

- Has 7 digits (size 4mm), counting up to 999.9999.
- Black plastic housing, flying leads.

Technical details:

Pulse timing:	VAC 10 Imp/sec
Cycle:	50% Imp. pause
Available in:	24 - 48 - 220VAC
Power consumption:	VAC 12.5/25mA
Size:	deep 51mm
Weight:	60 gram



Part no.	Description
27-0001	Counter 220VAC
27-0003	Counter 48VAC
27-0004	Counter 24VAC
27-0005	Counter 12VDC



ENM Meter for Sigma Slot Machines

- 6-digit meter counts up to 600 coins per minute
- Back of panel mounting style
- Dimensions: .75 W x .125 H
- Pulse length: 50 ms min
- Power consumption: 2 watts
- Voltage: 12VDC

Part no.	Description
H42-7428-00	ENM meter for Sigma slot machines



6-Digit Meter for WMS Gaming

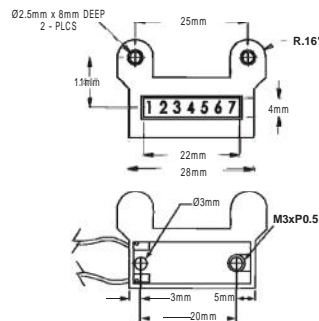
- 6-digit non-reset meter counts up to 600 coins per minute
- Back of panel mounting style
- Ultrasonically welded tamper-proof end cap
- Pulse length: 50 ms min
- Dimensions: .75 W x .125 H
- Power consumption: 5 watts
- Voltage: 6VDC
- Ref. no. 20-9951

Part no.	Description
H42-7427-00	6-Digit meter for WMS gaming



Happ 7-Digit Meter

- 7 digit non-resetable
- Low cost, small size
- Internal diode
- Flying leads 22 AWG, length 25cm
- Service life: 1,000,000 cycles
- Magnifying window
- Low power consumption: 1.3 watt
- High speed: 25 counts per second
- High quality – each meter tested at max speed for 5,000 counts before shipment
- Without mounting bracket



Part no.	Description
H42-0756-07	6VDC 7-digit counter (also rated 5VDC)
H42-0750-07	12VDC 7-digit counter
H42-1178-07	24VDC 7-digit counter



6-Digit Meter for IGT Reel Machines

- 6-digit non-resetable counter
- Counting speed: 20 counts per seconds
- 13"-flying leads
- 24VAC; no diode
- IGT Ref. no. 29203490

Part no.	Description
H42-7430-00	6-Digit meter for IGT reel machines



Meter for IGT Slot Reel Machines

- 6-digit non-resetable counter
- Counting speed: 20 counts per seconds
- PC board mounting, 24VDC
- IGT Ref. no. 29209390

Part no.	Description
H42-7431-00	6-Digit meter for IGT slot machines



Panel Mount Counter

- 12VDC, 7 digits counter with diode.
- Used by various UK AWP manufacturers.
- Supplied complete with mounting clip.

Part no.	Description
27-0035-1-5000	12VDC panel mount counter



Base Mount Counter

- 7 Digits, non reset base mount.
- 12VDC, used in many AWP machines.
- Made by Mecom UK.

Part no.	Description
27-0025-5000	Counter 12VDC



SEC Electronic Counter

Single electronic counter designed to replace traditional mechanical meters.

Enhanced security is a major feature of the SEC, a unique finger print code allows the machine to detect any meter changes and to prevent operation if he meter is not present. By utilising the latest electronic technology, the SEC avoids the reliability problems and service calls which can be experienced with mechanical meters.

Features:

- Replaces up to 31 mechanical meters with individual counters stored in EEPROM.
- 7 digit Liquid Crystal Display for displaying contents of counters.
- Text messages and counter selection controlled by host machine.
- Clock Serial interface designed to work on existing meter ports.
- Improved security through:
 - Security software protocol
 - Tamperproof counters with unique fingerprint code.

Part no.	Description
27-0800	SEC Counter