



OSRAM, PHILIPS, SYLVANIA

Fluorescent Lamps

- 70% of all artificial light in the world is generated by fluorescent lamps.
- A fluorescent lamp consumes only about one fifth of the electricity used by an ordinary light bulb.
- OSRAM, PHILIPS and SYLVANIA are the three largest manufacturers of lighting components in the world.
- Average life time of the fluorescent tubes is 12000 hours.

Part no.	Description	Watt	Length	Box content
F4T5CW	Lamp T5	4W	6"-15cm	25
F6T5CW	Lamp T5	6W	9"-23cm	25
F8T5CW	Lamp T5	8W	12"-30cm	25
F10T8CW	Lamp T8	10W	13"-33cm	50
F13T5CW	Lamp T5	13W	21"-53cm	25
F14T8CW	Lamp T8	14W	15"-38cm	25
F15T8CW	Lamp T8	15W	18"-46cm	25
F16T8CW	Lamp T8	16W	29"-73.5cm	25
F18T8K24CW	Lamp T8	18W	24"-61cm	24
F18T8K26CW	Lamp T8	18W	26"-66cm	24
F18T8K28CW	Lamp T8	18W	28"-71cm	24
F18T8K30CW	Lamp T8	18W	30"-76cm	24
F18T8-133ST	Lamp T8	18W	24"-61cm	24
F20T12CW	Lamp T12	20W	24"-61cm	25
F25T12-28CW	Lamp T12	25W	28"-71cm	30
F25T12-30CW	Lamp T12	25W	30"-76cm	30
F25T12-33CW	Lamp T12	25W	33"-84cm	30
F30T8CW	Lamp T8	30W	36"-91.5cm	25
F36-133ST	Lamp T8	36W	48"-120cm	25

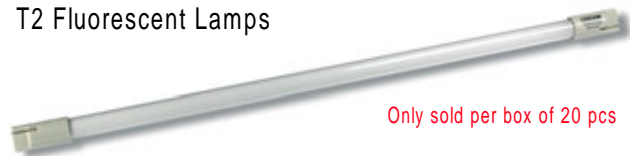
Fluorescent tubes are only sold per box.

Blacklight Blue Fluorescent Lamps

Used in various applications, like air hockey, money detectors etc.

Part no.	Description	Watt	Length	
F4T5BLB	Lamp T5	4W	6"-15cm	
F6T5BLB	Lamp T5	6W	7"-23cm	
F8T5BLB	Lamp T5	8W	12"-30cm	
F36T8BLB	Lamp T8	36W	48"-120cm	

T2 Fluorescent Lamps



Only sold per box of 20 pcs

These T2 fluorescent tubes are the latest technology in energy efficient cabinet lighting. We have listed here several types of T2 fluorescent lamps, if you don't find your requested type, please do not hesitate to contact our sales department.

Ultra slim design only 7mm diameter.
Average rated life 10.000 hours.
Diameter 7mm/ 0.276 inch.
Used with special electronic ballasts and fixtures.
Made by Osram.
Available in Cool white (CW) and Warm white (WW).

Part no.	Description	
FM6T2-830	T2 fluorescent	6 Watt WW
FM6T2-840	T2 fluorescent	6 Watt CW
FM8T2-840	T2 fluorescent	8 Watt CW
FM11T2-840	T2 fluorescent	11 Watt CW



OSRAM

Compact Fluorescent Lamp for use in Suzo-Happ Unitoppers

Osram Dulux S/E, high quality energy saving lamps.
Gives an equal amount of light as traditional fluorescent lamps.
Standard white colour.
12V, 11 Watt

Part no.	Description
-9902-11	12V, 11Watt Compact fluorescent lamp

Lighting

www.leis



Circular Fluorescent Lamps

Part no.	Description	Watt	Size
FC22CW	Lamp	22W	ø22cm
FC32CW	Lamp	32W	ø31cm
FC40CW	Lamp	40W	ø41cm



Ballast 240VAC

1x 36W / 1x 38W.
Can be used with 32W Circline lamp.

Part no.	Description
22-0109	Ballast



Plug-in Compact Fluorescent Lamp

Replace 150W incandescent lamp.
Butterfly model makes a perfect choice for slim illumination.
4 pin plug-in lamp socket.

Part no.	Description
F16D2CW	16W



Compact Fluorescent Lamp

Osram Dulux S, high quality energy saving lamps.
Gives an equal amount of light as traditional fluorescent lamps.
Standard white colour.

Part no.	Description
-9901-5	Dulux S 5W
-9901-7	Dulux S 7W
-9901-9	Dulux S 9W
-9901-11	Dulux S 11W

ACCESSORIES FOR COMPACT FLUORESCENT LAMPS



Electromagnetic Ballast 230V/50Hz

Standard version

For use with 8, 10, 13 or 2x8 Watt Compact fluorescent lamps.

EEL classification:	B1.
Voltage [V]:	230.
Size:	28 x 41 x 85mm.
Stack length [mm]:	034.
Fixing centre [mm]:	075.
Protection from overheating:	Without thermal cut-out.
Encapsulated:	No.
Connection:	Push-in/IDC terminal.
Earth terminal:	No.

Part no.	Description
22-0117	Ballast for Compact fluorescent lamp and fluorescent tubes



Electromagnetic Ballast 230V/50Hz for Compact Fluorescent Lamps

Super thin version.

With mounted lamp holder.

For use with 5, 7, 9 or 11 Watt Compact fluorescent lamps.

EEL classification:	C.
Voltage [V]:	230.
Size:	18 x 41 x 155mm.
Fixing centre [mm]:	140.
Protection from overheating:	Without thermal cut-out.
Encapsulated:	No.
With mounted lamp holder:	G23
Connection:	Push-in with lamp holder.
Earth terminal:	Yes.
Frequency [Hz]:	50.

Part no.	Description
22-0112	Ballast for Compact fluorescent lamps with lamp holder



12V Illumination Set

Complete kit for 12V illumination
Kit contains 12V ballast, lampholder for 4 pin compact fluorescent (2G7 base), compact fluorescent 12V, 11W, lamp clip and 4 screws
When using this kit you can avoid 220VAC wiring through your machine

Part no.	Description
22-0128	12V illumination set

ACCESSORIES FOR T2 FLUORESCENT LAMPS



Electronic Ballast for T2 Fluorescent FM Lamps

This Ballast is specially designed to work with T2 lamps.

Quick start <2 seconds.
Automatic off switch with defect lamp.
198-254Volt/50Hz.
One lamp per ballast
Size: 150 x 22 x 22mm. (LxWxH)

Part no.	Description
22-0116	Electronic Ballast 6/8 Watt T2
22-0116-1	Electronic Ballast 11/13 Watt T2



Lamp Holders for T2 Fluorescent Tubes

Spring-mounted insert for firm contact.

Lamp base: W4, 3x8, 5D.
Material: PC.
Colour: White.
Style: Surface-mounted lamp holder.
Fixing: Fixing holes 2.6mm.
Starter: No.
Connection: With cable 450mm.
Lamp axis [mm]: 7.2.
T-Marking: 110.

Part no.	Description
22-0113	Lamp Holder T2



ACCESSORIES FOR T5 FLUORESCENT TUBES



Electromagnetic Ballast 230V/50Hz for T5- 4, 6, 8 or 2x4 Watt Tubes

Super-slim version.
Vacuum-impregnated with polyester resin.

Lamp type: T5.
Voltage [V]: 230.
Size: 26 x 28 x 130mm.
Fixing centre: 120.
Protection from overheating: Without thermal cut-out.
Encapsulated: No.
Connection: Push-in terminal.
Earth terminal: yes.
Frequency [Hz]: 50.
Protection class: Class of protection I.
EN 60920 (Safety).
EN 60921 (Working method)

Part no.	Description
22-0105	Electromagnetic ballast



Lighting Tray 240VAC

For lamp size 8 Watt.
Complete with starter and terry clips.

Part no.	Description
22-0127	8W lighting tray



Lighting Set 2x8W 240VAC

For 2x F8T5 fluorescent tubes.
Set includes ballast 2x 8W, starter, and 4 fluorescent tube sockets.

Part no.	Description
22-0127-1	Lighting set



Ballast 110VAC

High quality ballast for longer lifetime, guaranteed to deliver proper voltage.

Part no.	Description
22-0100	4 - 6 - 8W 110V



Lamp Holders for T5 Fluorescent Tubes

Lamp base: G5.
Material: PC.
Colour: White.
Style: Push-through lamp holder, slot insertion.
Fixing: Lateral fixing clips / or M3 slotted fixing foot.
Cut-out: 9.7 x 15.5mm.
Starter: No.
Connection: Single push-in terminal 0.5-1mm².
Lamp axis: 14.0mm.
Lamp holder thickness: 9.3.

Part no.	Description
22-0114-1	Lamp holder T5



Lamp Holders for T5 Fluorescent Tubes

Lamp base: G5.
Material: PBT GF.
Colour: White.
Style: Push-fit lamp holder, for push-fitting onto the lamp.
Fixing: For push-fitting onto the lamp.
Starter: No.
Connection: Push-in twin terminals 0.5-1mm².
Lamp axis: 12.0mm.
Lamp holder thickness: 9.2.

Part no.	Description
22-0115-1	Lamp holder T5



Terry Clip ø16mm T5

Lamp support for lamps with 16mm diameter.

Lamp base: G5.
Material: Zinc-coated polished steel.
Fixing: Fixing holes for screws M3.5.
Lamp axis: 10.3mm.

Part no.	Description
22-0111-1	Terry clip ø16mm T5

ACCESSORIES FOR T8 FLUORESCENT TUBES



Lighting Tray 240VAC

For lamp size 15 Watt.
Complete with starter and terry clips.

Part no.	Description
22-0126	15W lighting tray



Lamp Holders for T8 Fluorescent Tubes

For push-fit onto lamps 26mm diameter.
Front cover made out of heat-resistant PBT GF.
Pin support for reliable contact.

Lamp base: G13.
Material: PC.
Colour: White.
Style: Push-fit lamp holder, lamp 26mm diameter.
Fixing: Fixing holes M3.
Starter: No.
Connection: Push-in twin terminals 0.5-1mm².
Lamp holder thickness: 9.5.

Part no.	Description
22-0115	Lamp holder T8



Terry Clips T8 - T12

For fluorescent lamps 26mm diameter.

Lamp base:	G13.
Material:	Zinc-coated polished steel.
Colour:	Chrome-finish.
Fixing:	Fixing holes for screws M4.
Lamp axis:	18.0mm.

Part no.	Description
22-0111	Terry clip T8 - T12



Ballast 220-230VAC, 15W

Part no.	Description
22-0106	Ballast



Ballast 110VAC

High quality ballast for longer lifetime, guaranteed to deliver proper voltage.

Part no.	Description
22-0101	14 - 15 - 20W 110V
22-0102	25W 110V

NEW



Electronic Ballast

For IGT machines
For F15T8 lamps
With polymer fuse
0.6A, 25VDC

Part no.	Ref. no.	Description
H70-0635-00	195 076 90	Electronic ballast, 15W
H70-0824-00	195 069 90	Electronic ballast, 8W

STARTERS & ACCESSORIES



Starters

Ceramic condenser long-life starter.
Packed in lots of 10 pcs.

* Sold per piece.

Part no.	Description
FS1	13 - 25 - 30 - 32 - 40 - 65W
FS2	14 - 15 - 20W
FS4	13 - 30 - 40W
FS5*	4 - 6 - 8W each
FS11	Universal 220V 4 - 80W
FS25*	22 - 25W each



Starter Socket

Can be used for all starters.

Part no.	Description
22-0125	Starter socket



Starter Holders

Central stud for protection class II:
Material: PC.
Colour: White.
Fixing: Fixing holes for screws M3.
Connection: Push-in terminal 0.5-1mm².
Temperatur marking: T110.

Part no.	Description
22-0125-3	Starter holder



Starter Holders

Split pin fixing from lamp holder to luminaire: IP40.

Material: PC.
Colour: White.
Fixing: Rear split pins.
Connection: Push-in terminal 0.5-1mm².
IP degree ofprotection: 20.
Temperatur marking: T110.
Nominal rating: 2/250.

Part no.	Description
22-0125-2	Starter holder



Ballast

Ballast 25VDC
For 22-40W Circline lamps

Part no.	Description	IGT Ref.
H70-1151-	Ballast	19507800



Terminal Blocks

Nominal rating: 4/380.

Temperature marking: T85.

Secondary connection: 2 Push-in twin terminals:
1.5mm² per pol (L/N).

Style:	Terminal block.
Pole number:	3.
Earth bracket:	Yes.
Fuse holder:	No.
Supressed capacitor:	No.
Fixing:	For push-fit.
Connection:	Screw terminals: 2.5mm ²

Part no.	Description
22-0118	Terminal block

Lighting / CCFL Products



Cold Cathode Fluorescent Lighting

Energy efficient converting more energy to light output instead of heat, uses 75% less power
 Ideal for gaming panels and lighting signage
 Provides bright white lighting at 6.500° K, significant less heat than fluorescent lamps
 Long life lasting over 20.000 hours



Cold Cathode Lamps

All lamps includes acrylic protection covers
 Available in 325 or 400 millimeter length

Part no.	Description
H50-0446-00	Cold cathode lamp 3.0 x 325mm
H50-0348-00	Cold cathode lamp 3.0 x 400mm

Cold Cathode Lamps with Reflector

All lamps includes acrylic protection covers
 Available in 325 or 400 millimeter length
 Included painted reflector for better light output

Part no.	Description
H50-0446-90	Cold cathode lamp 3.0 x 325mm
H50-0348-90	Cold cathode lamp 3.0 x 400mm

Steel Clip for Cold Cathode Lamps

Will hold all cold cathode lamps with acrylic cover

Part no.	Description
H95-2505-00	Steel clip



Inverters for Cold Cathode Lamps



For use with 1 or 2 cold cathode lamps.
 Connection cable sold separately

Part no.	Description
H50-0449-00	Inverter for 1 3.0 x 325mm CCFL
H50-0450-00	Inverter for 1 3.0 x 400mm CCFL
H50-0448-00	Inverter for 2 3.0 x 325mm CCFL
H50-0349-00	Inverter for 2 3.0 x 400mm CCFL

Power Harness Extension

For connecting 2 CCFL inverters to 1 powersupply or 1 power harness
 Length: 120cm

Part no.	Description
H96-0640-00	Power harness extension



Cold Cathode Retrofit Lighting Kits

Retrofit kits fit into existing fluorescent lamp sockets in gaming machines
 Kits include one CCFL module, inverter, Velcro hook and loop strips and wire harness

Ideal for gaming panels and lighting signage
 Your machine can be converted to cold cathode lighting in minutes
 Available with 1 or 2 CCFL elements per module for enhanced light output
 Available as replacement for F14T8CW and F15T8CW fluorescent lamps

Part no.	Description
H95-2630-00	F15T8 Retrofit kit with double element module
H95-2630-10	F15T8 Retrofit kit with single element module
H95-2630-20	F14T8 Retrofit kit with double element module
H95-2630-30	F14T8 Retrofit kit with single element module

Cold Cathode Power Harness for IGT, WMS and Atronic



This harness contains a "Y" connector that allows to get the 12V power from existing connectors within the machine
 Works on IGT S2000 series-Game master and I-Game, WMS Bluebird and Atronic Cashline. No splicing or separate power supply needed

Part no.	Description
H96-0644-00	Power harness for IGT S2000 - WMS Bluebird - Atronic Cashline
H96-0649-00	Power harness for IGT Game Master and I-Game



Cold Cathode Light Reflector Reflector Assy

Includes bracket, 2 single CCFL modules 3.0 x 400mm, inverter and wire harness
 Can be used behind belly glass or topglass depending on machine
 Size: 406 x 145mm

Part no.	Description
H95-2631-00	Light reflector assembly

Lighting / LED Products



Wedge Base LEDS 5mm

These LEDS have been designed especially for the gaming market based on superior quality 5mm - T 1-1/2

Original Nichia LED inside

- **Real white colour**
No colour differences possible, Single bin product
- **Wide viewing angle 120-140°**
Available in 1-12 and 24V
Datasheet available upon request

Part no.	Description
161-306059	LED 5mm 6V white
161-312059	LED 5mm 12V white
161-324059	LED 5mm 24V white

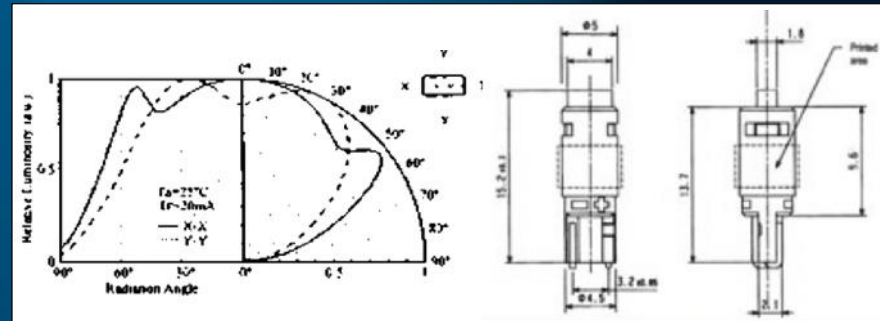
(1) Absolute maximum ratings:

Item	Absolute Max Rating	Unit
Forward Current	30	mA
*Pulse Forward Current	100	mA
Operating Temperature	-30 ~ +85	°C

*Conditions: Pulse width < 10msec and duty < 1/10

(2) Initial Electrical and Optical Characteristics: Ta = 25°C

Item	Condition	Min	Typ	Max	Unit
Luminous Intensity	IF = 20(mA)	340	410	480	mcd



Wedge Base LEDS 5mm

5mm - T 1-1/2

5 -12 or 24VDC

Wide viewing angle

Competitively priced

Available in red, yellow, green, blue and white

White leds colour sorted per box

Datasheet available upon request

Part no.	Description
161-205052	LED 5mm 5V red
161-205054	LED 5mm 5V yellow
161-205055	LED 5mm 5V green
161-205056	LED 5mm 5V blue
161-205059	LED 5mm 5V white
161-212052	LED 5mm 12V red
161-212054	LED 5mm 12V yellow
161-212055	LED 5mm 12V green
161-212056	LED 5mm 12V blue
161-212059	LED 5mm 12V white
161-224052	LED 5mm 24V red
161-224054	LED 5mm 24V yellow
161-224055	LED 5mm 24V green
161-224056	LED 5mm 24V blue
161-224059	LED 5mm 24V white

LEDs are the longest lasting, most maintenance free lighting source available.
Long lifetime up to 100.000 hours.
Energy saving over 80%.
Very low power consumption and less heat generation.



Wedge Base Cluster LEDS 10mm

Cluster of 3 LEDS in 10mm housing

Available in 5 - 12 and 24V

Wide viewing angle

Available in red, yellow, green, blue and white

White leds colour sorted per box

Datasheet available upon request

Part no.	Description
161-205103-2	Cluster LED 5V 10mm red
161-205103-4	Cluster LED 5V 10mm yellow
161-205103-5	Cluster LED 5V 10mm green
161-205103-6	Cluster LED 5V 10mm blue
161-205103-9	Cluster LED 5V 10mm white
161-212103-2	Cluster LED 12V 10mm red
161-212103-4	Cluster LED 12V 10mm yellow
161-212103-5	Cluster LED 12V 10mm green
161-212103-6	Cluster LED 12V 10mm blue
161-212103-9	Cluster LED 12V 10mm white
161-224103-2	Cluster LED 24V 10mm red
161-224103-4	Cluster LED 24V 10mm yellow
161-224103-5	Cluster LED 24V 10mm green
161-224103-6	Cluster LED 24V 10mm blue
161-224103-9	Cluster LED 24V 10mm white



Tivoli Base LEDS

Used in progressive jackpot signs above slotmachines

2-wire base T1.5 (Tivoli style)

Standard available in 28V, other voltages upon request

Part no.	Description
161-0128-2	Tivoli LED 28V red
161-0128-4	Tivoli LED 28V yellow
161-0128-5	Tivoli LED 28V green
161-0128-6	Tivoli LED 28V blue
161-0128-9	Tivoli LED 28V white



Tivoli Base LED String

100 mtr / 330 ft per roll

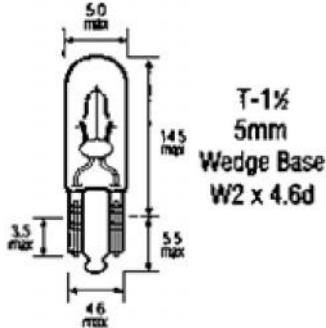
Standard available in 28V - white, other voltages and/or colours available upon request

LED distance: 17.78mm / 7"

566 leds per roll

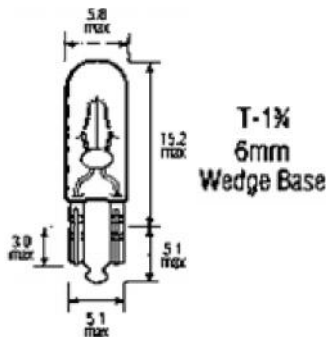
Part no.	Description
161-0003	Tivoli led string 28V white

All these Wedge base LED's should not be used in lamp matrix systems.



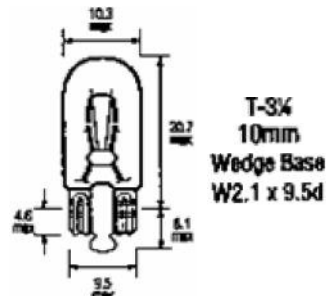
Wedge Base Lamps 5mm

Part no.	Volt	Amp	Life	Packing
-286	12	0.10	1000	100
-1179	12	0.11	15.000	100
-2305	6	0.16	2500	100
-2306	6	0.03	3000	100
-2321	12	0.08	5000	100
-2341	24	0.03	5000	100
-2391	14	0.22	500	25



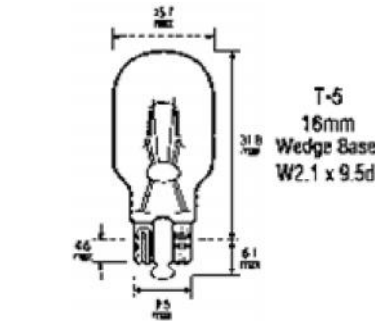
Wedge Base Lamps 6mm

Part no.	Volt	Amp	Life	Packing
-73	14	0.08	15000	100
-84	6.3	0.04	20000	100
-85	28	0.04	10000	100
-86	6.3	0.20	20000	100



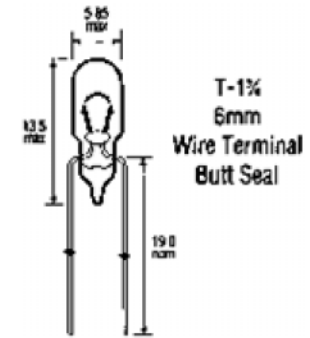
Wedge Base Lamps 10mm

Part no.	Volt	Amp	Life	Packing
-159	6.3	0.15	10000	100
-161	14	0.19	4000	100
-259	6.3	0.25	10000	100
-512	12	0.22	1000	100
-656	28	0.06	5000	100
-1112	12	0.10	5000	100
-2501	6	0.33	7000	100
-2521	12	0.18	3000	100
-2541	24	0.08	5000	100



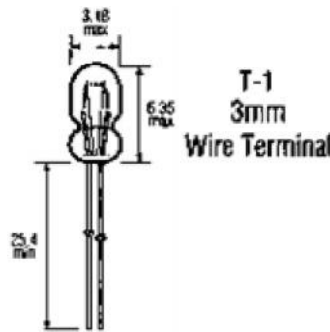
Wedge Base Lamps 16mm

Part no.	Volt	Amp	Life	Packing
-906	13	0.69	1000	100
-912	12.8	1.00	1000	100



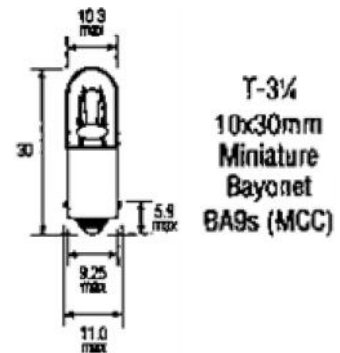
Wire Terminal Lamp 6mm

Part no.	Volt	Amp	Life	Packing
-2182D	14	0.08	15000	10



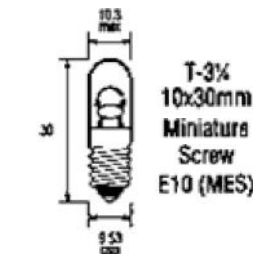
Wire Terminal Lamp 3mm

Part no.	Volt	Amp	Life	Packing
-683	5	0.06	20000	10



Bayonet Lamps BA9S

Part no.	Volt	Amp	Life	Packing
-44	6.3	0.25	3000	100
-47	6.3	0.15	3000	100
-643	12	0.18	3000	25
-1822	36	0.10	1000	25
-1831S	12	0.10	5000	100
-1835	55	0.05	5000	25



Miniature Screw Lamps E10

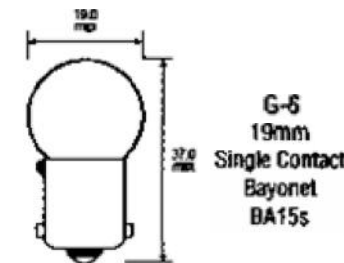
Part no.	Volt	Amp	Life	Packing
-46	6.3	0.25	3000	100
-1817	24	0.12	2000	25



11mm Ball

BA9S Miniature Flasher Lamps

Part no.	Description
-455	6.5V - 0.5A



Bayonet Lamps BA15S

Part no.	Volt	Amp	Life	Packing
-63	7	0.63	1000	10
-89	13	0.58	750	10
-8170	28	0.17	2000	10
-9051	28	0.90	1000	10



Crane Lamp (Clear)

Part no.	Description
-7965	60V - 10W



E3026



E3028

Festoon Lamps

Part no.	Description
E3026	Festoon lamp 12V 5W
E3028	Festoon lamp 24V 5/6W



Lamp with Holder

AMP Lamp Holder fitted with lamp 286 12V 1.2W.
Used in various machines, like Barcrest etc.

Part no.	Description
-286LH3	Lamp with holder



Connection Hand Tool for 286LH3 Lamp

Easy to use.
Comfortable T-shape.

Part no.	Description
1-525421-3	Hand tool for -286LH3



Coloured Wedge Base Lamps T1-1/2 5mm

Sold per 100 pcs.

Part no.	Description
-286-2	5mm 12V 0.10 Amp red
-286-4	5mm 12V 0.10 Amp yellow
-286-5	5mm 12V 0.10 Amp green
-286-6	5mm 12V 0.10 Amp blue



Coloured Wedge Base Lamps T3-1/4 10mm

Sold per 100 pcs.

Part no.	Description
-1112-2	10mm 12V 0.10 Amp red
-1112-6	10mm 12V 0.10 Amp blue



Wedge Base LED's 10mm

Single LED's.
Extremely competitive priced.
Available in 12V only.
T3-1/4 - 10mm size.
Available in 5 colours.

Part no.	Description
161-12102	Single LED 10mm 12V red
161-12104	Single LED 10mm 12V yellow
161-12105	Single LED 10mm 12V green
161-12106	Single LED 10mm 12V blue
161-12109	Single LED 10mm 12V white

All these Wedge base LED's should not be used in lamp matrix systems



Lamp Holder T1-1/2 5mm with Lamp -286

Part no.	Description
-7111311	Lamp holder with lamp -268



Lamp Holder T1-1/2 5mm with Lamp -286

Part no.	Description
-6797323	Lamp holder with lamp -268



Lamp Holder T3-1/4 10mm with Lamp -512

Part no.	Description
-7121306	Lamp holder with lamp -512



Coloured Lamp Caps

Fit on all T1-1/2 5mm lamps.
Sold per 10 pcs.

Part no.	Description
-10012-2	Red cap
-10012-3	Orange cap
-10012-4	Yellow cap
-10012-5	Green cap
-10012-6	Blue cap



Halogen Lamps for Cranes and other Applications

Part no.	Description
BAB	12V 20W 50mm halogen lamp
EXZ	12V 50W 50mm halogen lamp
FMW	12V 35W 50mm halogen lamp



Coloured Lamp Caps

Fit on all T3-1/4 10mm lamps.
Sold per 10 pcs.

Part no.	Description
-10013-2	Red cap
-10013-3	Orange cap
-10013-4	Yellow cap
-10013-5	Green cap
-10013-6	Blue cap



Lamp Socket

For T3-1/4 10mm wedge base lamps.
Can be used with brackets 22-0695 series, see below.

Part no.	Description
11-0090	Lamp socket



Axial Lamp Holder Brackets

Lamp holder bracket developed for 11-0090 lamp holder.

Part no.	Description
22-0695-13	Bracket 13mm
22-0695-18	Bracket 18mm



Wedge Base Lamp Holder

With beam-connection, for 0.4/1.3mm and 0.14/0.7mm wire.
For 10mm wedge base lamp.

Part no.	Description
22-2162	0.4 with diode
22-2162-1	0.14 with diode
22-2162-2	0.4 less diode
22-2163	Cover for holder



Pushbutton Lamp Holder Lorenzo

Lamp holder for Lorenzo subminiature buttons, without microswitch and lamp.

Part no.	Description
22-1056	Lamp holder



Pushbutton Lamp Holder Lorenzo

Lamp holder for Lorenzo pushbuttons, without microswitch and lamp.

Part no.	Description
22-1055	Lamp holder



Pushbutton Lamp Holder Starpoint

Lamp holder for Starpoint pushbuttons, without microswitch and lamp.

Part no.	Description
22-2090	Lamp holder



Pushbutton Lamp Holder Gamesman

System S

Used in Gamesman series 100, 200, 300 (except 350) and 400 buttons.
Available with 6.3 or 4.8mm switch terminals.

Part no.	Description
22-1054	Lamp holder with switch 6.3mm terminals
22-1054-1	Lamp holder with switch 4.8mm terminals



Pushbutton Lamp Holders Gamesman Quick Connect

System A

White lamp holder with switch.
Single connector, standard diodes.

System B

Yellow lamp holder with switch.
Single connector, common diodes.

System C

Blue lamp holder with switch.
Single connector, no diodes.

(Lamps or LED's are not included!)

Part no.	Description
22-1054-4	Lamp holder white, system A
22-1054-2	Lamp holder yellow, system B
22-1054-3	Lamp holder blue, system C

T10 Wedge Base lamp holders.
Can be supplied complete with choice of lamps.
Fully tested.



Lamp Holder Twistlock

For T3-1/4 10mm wedge base lamps.
Mounting depth 9.6mm.
ø17.8mm.

Part no.	Description
22-2166	T10 Lamp socket



Lamp Holder with Terminals

For T3-1/4 10mm wedge base lamps.
PCB mounting.

Part no.	Description
22-2165	T10 Lamp socket

T5 Wedge Base lampholders.
Can be supplied complete with choice of lamps.
Fully tested.



Lamp Holder Twistlock

For T1-1/2 5mm wedge base lamps.
For 1.5mm - 1 face PCB.
Available in small range of colours.

Part no.	Description
22-2171	T5 Lamp socket



Lamp Holder Twistlock Double Contact

For T1-1/2 5mm wedge base lamps.
For 1.5mm - 1 or 2 faces PCB.
Available in small range of colours.

Part no.	Description
22-2172	T5 Lamp socket