



## Turbo Speed Shifter

- High-low speed shifter with microswitch operation.
- Large pushbutton on the side of the handle activates the turbo feature.

Part no.	Description
22-2107-1	Turbo speed shifter



## Speed Shifter

- Sturdy 2 position shifter.
- Knob moulded onto steel shaft.
- Microswitch operation.

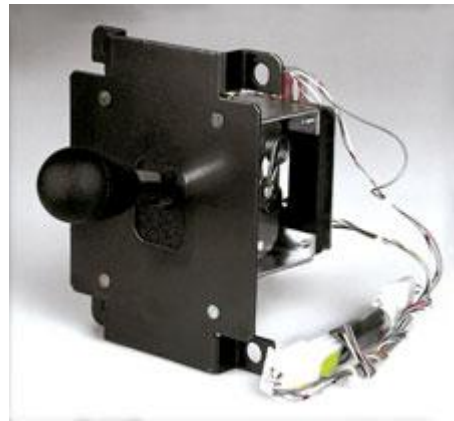
Part no.	Description
22-2107-3	Speed shifter



## Up-Down Shifter

- Microswitch operation.
- Switches are activated in high and low position.
- Handle will return automatically to neutral position.

Part no.	Description
22-2107-4	Up-down shifter



## Daytona 4-Speed Shifter

Replacement Item for Sega

- 4-Speed shifter.
- Black moulded shifter grip.
- Simply fits into existing mounting pattern.
- Fully harnessed for both Japanese and American games.

Part no.	Description
22-2107-6	4-speed shifter



## Steering Wheel 270°

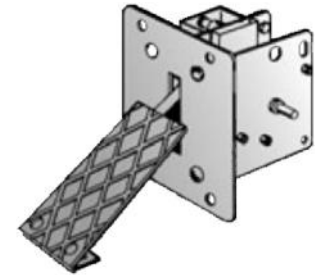
- Ball bearing construction.
- Potentiometer control.
- Standard mounting.

Part no.	Description
22-2105-1	270° Wheel

## Steering Wheel 360°

- Ball bearing construction.
- Optical control.
- Standard mounting.

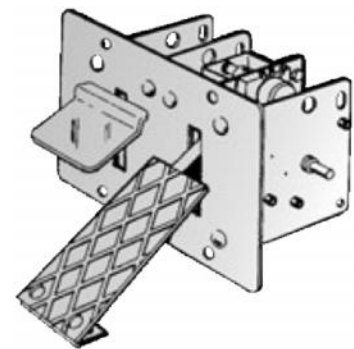
Part no.	Description
22-2105-2	360° Wheel



## Single Pedal Assembly

- Steel construction.
- Microswitch or potentiometer control available.

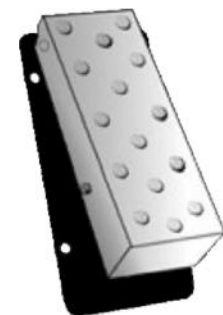
Part no.	Description
22-2108-1	Pedal with micro control
22-2108-2	Pedal with potmeter control



## Dual Pedal Assembly

- Steel construction.
- Brake pedal with microswitch.
- Gas pedal with potentiometer or microswitch control.

Part no.	Description
22-2109-1	Microswitch control
22-2109-2	Potentiometer control
22-2109-3	Microswitch / Potentiometer control



## Modular Pedal

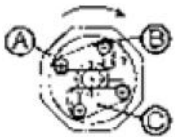
- Steel construction.
- Potentiometer or microswitch control.

Part no.	Description
22-2109-4	Modular pedal potmeter
22-2109-5	Modular pedal microswitch



## Universal STC Joysticks

- Square switch actuator prolongs lifetime of microswitches.
- Supplied with microswitches with 4.8mm .187" or 6.3mm .250" terminals.
- Available with 32 or 38mm Ball Handle.
- Handles available in black, red or blue colour.
- Realistic spring action.
- Adjustable to 2, 3, 4, 5 or 8 way by using unique adjustment system.



### Bottom view joystick

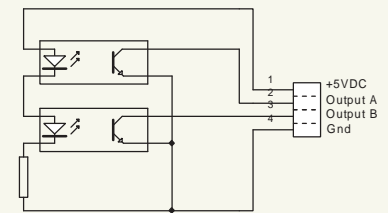
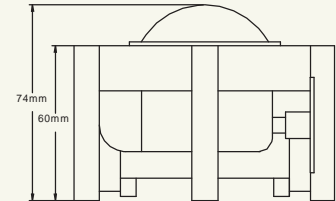
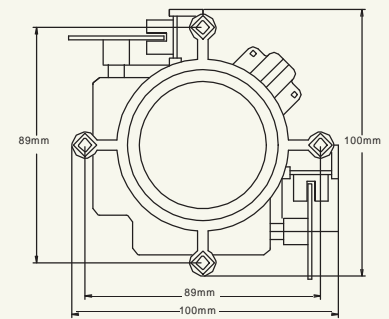
- A: Adjustment ring
- B-C: Lockpawls



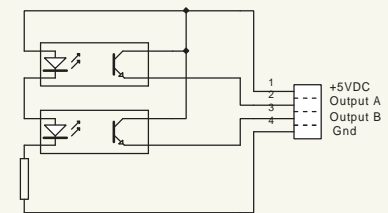
## STC Fire Button Joystick

- Same solid construction as Universal STC Joystick.
- Supplied with microswitches with 4.8mm .187" or 6.3mm .250" terminals.
- Ergonomic handle for comfortable grip.
- Direct fire button switch actuator with standard microswitch.
- Realistic spring action.
- Available with 4, or 8 way.

Part no.	Description
29-0394-6	Fire button joystick 4 positions
29-0398-6	Fire button joystick 8 positions



29-0230 Active low



29-0210 Active high

## How to order ?

### Joysticks Universal Series 500

Part no.	Description
29-0501-2	32mm black ball handle 6.3mm term
29-0501-3	38mm black ball handle 6.3mm term
29-0501-32	38mm red ball handle 6.3mm term
29-0501-36	38mm blue ball handle 6.3mm term
29-0511-2	32mm black ball handle 4.8mm term
29-0511-3	38mm black ball handle 4.8mm term
29-0511-32	38mm red ball handle 4.8mm term
29-0511-36	38mm blue ball handle 4.8mm term

### Joysticks 4/8 way only Series 500

Part no.	Description
29-0503-2	32mm black ball handle 6.3mm term
29-0503-3	38mm black ball handle 6.3mm term
29-0513-2	32mm black ball handle 4.8mm term
29-0513-3	38mm black ball handle 4.8mm term



### 57mm, 2-1/4" mini Trackball Assembly

#### Features:

- Durable nylon materials used.
- Easy installation with four mounting screws. (not included)
- 360° degrees movement.
- Quick response.
- Five ball bearings for smooth operation.
- Available in two versions: active low (open collector) and active high. (to 5VAC)
- Standard available with white or red ball.
- Customised colours and harnesses available on request.
- Power: 5VDC.
- Output: active high 5V 10mA - active low 35V 10mA.
- **USB version will be released soon.**

Part no.	Description
29-0210	Trackball with white ball active high
29-0210-2	Trackball with red ball active high
29-0230	Trackball with white ball active low
29-0230-2	Trackball with red ball active low

## Eurostyle Joystick

- 8-Way Joystick.
- Spring return action.



- With 6.3mm .250" terminal microswitches.

Part no.	Description
22-1076	Eurostyle joystick



## Cherry Microswitch

- For replacement on joysticks and pushbuttons etc.
- 75 gram actuating force.

Part no.	Description
22-0731-2	With 6.3mm .250" terminal
22-0750-2	With 4.8mm .187" terminal

# Joysticks



## USB Game Control Interface (UGCI)

Universal Serial Bus (USB) Control Interface Board **UCIB™** allows personal computers equipped with USB to easily interface with standard "Arcade Quality" controls from Happ Controls via the USB port. The device will be automatically configured as soon as it is physically attached, without the need to reboot or run setup. No drivers necessary to install, only requires a Windows 95/98/ME/2000™/XP CD.

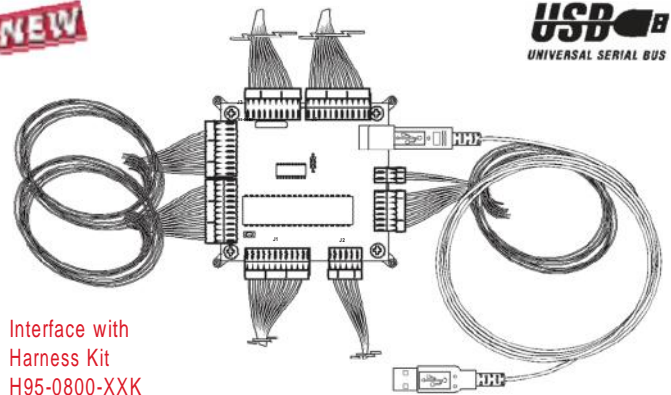
### Benefits of utilization of the USB intelligent interface:

- Hot swapping capability
- Multiple peripheral, with use of USB hubs, allows up to 127 different peripherals to be used at one time
- Moves data at a high speed
- No separate power supply needed
- Share peripherals between PC platforms
- Higher bandwidth than serial
- Simplicity of use
- Established base of millions of USB computers
- Built-in operating system support for devices

### Features of Happ Controls Universal Serial Bus (USB) Game Control Interface Board (UGCI)

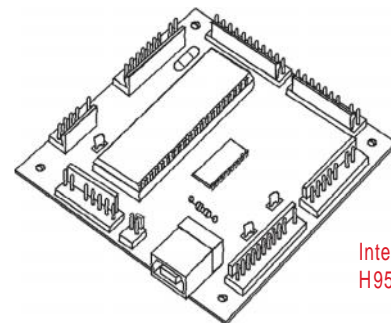
- High performance universal serial bus (USB) IO channel
- Low cost
- Robust fault tolerant design which is USB HID compliant
- DirectX ready
- WINDOWS 95/98/ME/2K/XP operating system ready
- OAAF compliant
- Seven high speed 8-bit 20 Khz analog channels
- 32 Digital inputs at 10 Khz each
- CPU resource efficient 10 times faster than RS-232 based arcade models
- Supports games running at 120 FPS
- 1.5 Mbytes/Second, 1000 Hz polling frequency for each data packet
- Plug-and-play and ACPI compliant
- Up to two coin/bill counters
- Host CPU reset watchdog timer
- Mappable keyboard buttons with SDK available online
- 3 Models available to best fit applications
- Daughter board available for high current outputs, 96-0746-00
- Supports both trackball and buttons
- Small compact size 76 x 76mm
- NOTE: To use the coin/bill counters, watchdog and player start buttons require application software to be written for the UGCI. You need to be a member of MSDN (Microsoft Developers Network) and use the MSDN DDK to do this
- The UGCI is not compatible with MAC OS

**NEW**



**USB**  
UNIVERSAL SERIAL BUS

Interface with  
Harness Kit  
H95-0800-XXK



Interface only  
H95-0800-XX

### Models available:

XX=Model Type

10= Driving

20= Flying

30= Fighting

Part no.	Description
H95-0800-XXK	USB game control interface (UGCI) with harness kit, USB cable and PCB mounting feet (specify modell)
H95-0800-XX	USB game control interface only w/o harnesses (specify modell)
H96-0735-00	USB cable 5' type A to B

### Flying USB (H95-0800-30) supports:

- Two eight position digital joysticks
- Six buttons for each joystick (seven for JS1)
- Trackball with 3 buttons
- 2 coin/bill-counters
- Host watchdog timer
- 4 select buttons
- 2 start buttons

### Flying USB (H95-0800-20) supports:

- Analog B-8 style joystick with POV hat
- Rudder pedal
- Throttle
- Trackball with 3 buttons
- 2 coin/bill-counters
- 2 start buttons
- Host watchdog timer
- 4 select buttons

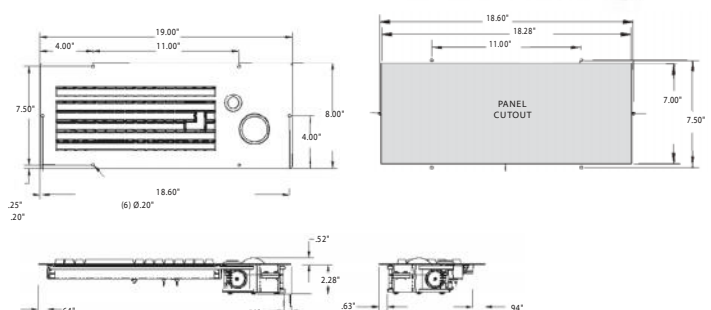
### Driving USB (H95-0800-10) supports:

- Steering wheel
- Brake
- Throttle
- 2 coin/billcounters
- Up to six buttons
- Trackball with 3 buttons
- 4-speed shifter with reverse
- 2 start buttons
- Host watchdog timer

**NEW**

## Stainless Steel Control Panel Assembly with Keyboard, 2-1/4" Trackball and One Pushbutton

- Panel is mountable into a variety of kiosk designs
- Stainless steel panel
- Black mini keyboard is PS/2 compatible with 12.5cm cable
- Clear polyurethane keyboard cover included
- High quality 2-1/4" diameter black trackball uses precision stainless components, plus high-grade injection moulded plastic and superior optical encoders
- Trackball interface: USB
- One black pushbutton with .187" terminal switches



Part no.	Description
H45-0009-00	Control panel assembly keyboard PS/2 trackball USB
H45-0009-10	Control panel assembly keyboard PS/2 trackball USB + PS/2

# Trackballs

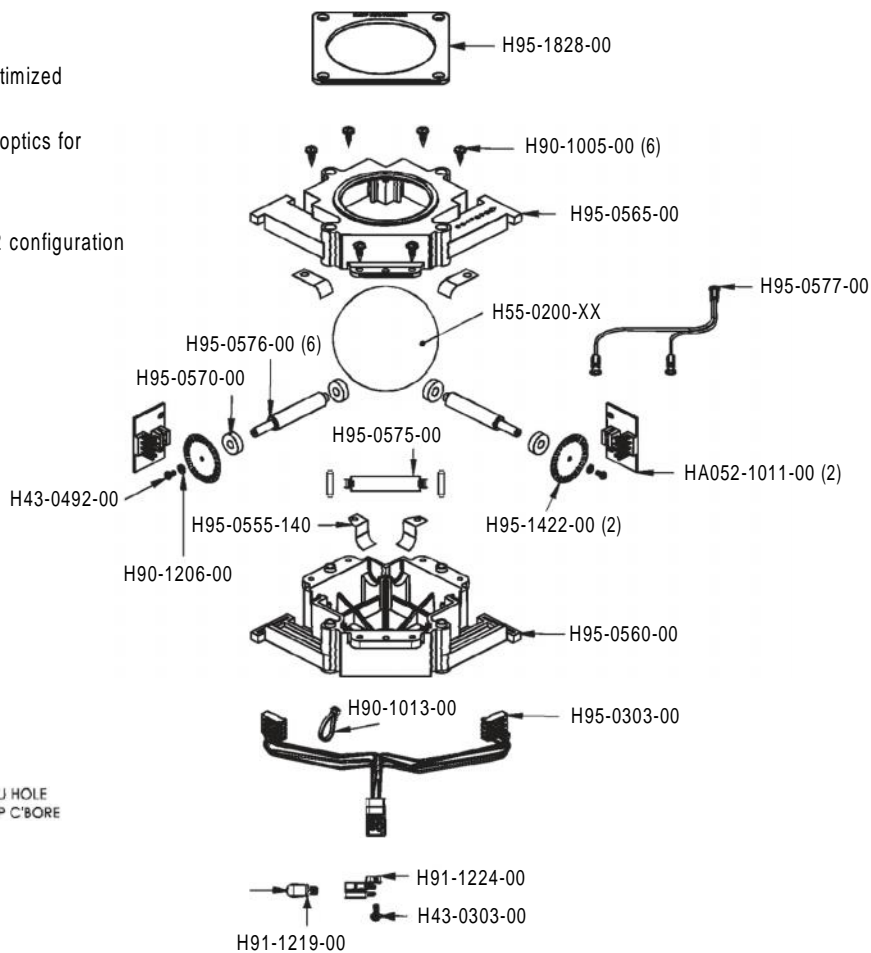
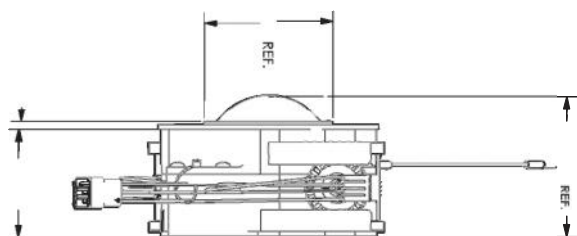
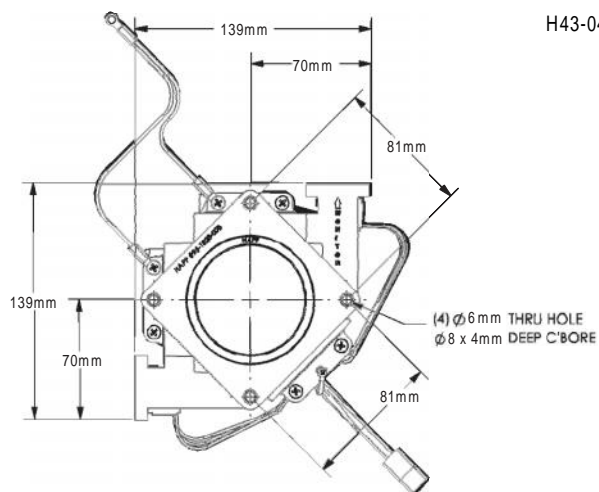


## 3" Diameter white high lip trackball for use in Golden Tee® Fore 2002 - 2004 and PGA Tour Golf

- Updated case design with high lip around trackball for use on new updated control panel design on newer Golden Tee® For 2003 - 2004 games
- Includes a spacer bracket to allow this trackball to be used in Golden Tee® and Golden Tee® Fore 2002
- Highly specialized components provide the ultimate performance trackball for use with Golden Tee® Fore and PGA Tour machines
- Exceptional performance and precision is achieved from hardened steel shafts
- Optimized for all types of shots and skill levels of the most critical players
- Consistent manufacturing process provides a trackball with performance you can depend on
- Tested and preferred by elite "Gold Division" Golden Tee® Fore players
- Durability to last and maintain superior performance
- Case is constructed of durable impact resistant polycarbonate plastic material that resists cracking due to impact
- Powerful optics work even under dirty and dusty conditions
- "Red Board" PCB has improved circuitry to guarantee an optimized performance signal both at low and high rpm speeds
- Optic board utilizes surface mount technology and superior optics for increased reliability
- Standard AMOA harness included
- NOTE: If you have an earlier version of PGA Tour with a PS/2 configuration replace with part number H56-0400-11
- Includes label: "Happ Controls Trackball installed"
- Proudly Made in USA



### 3" Trackball Mounting Dimensions in mm



**REPLACEMENT 3" GOLDEN TEE & PGA TOUR KIT MOUNTING PLATE**

**55-0321-00**



Part no.	Description
H56-0100-11HL	3' Diameter white high lip trackball with harness

# Trackballs

www.leisureherrero.com



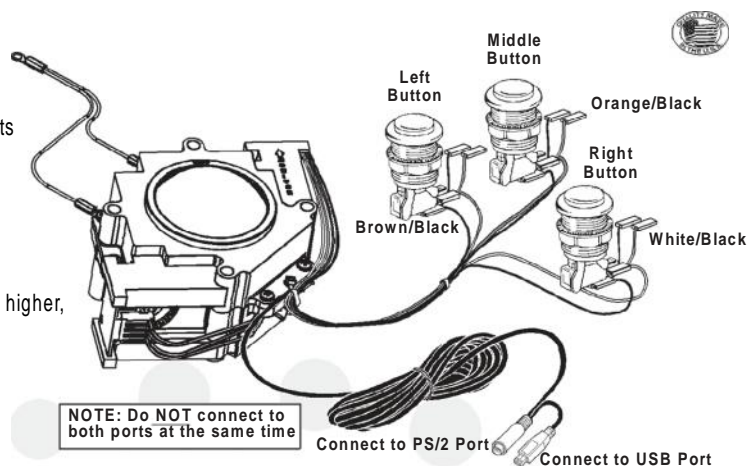
## 2-1/4" Trackball with USB & PS/2 Interface

### Features:

The Happ Controls 2-1/4" Trackball & USB and PS/2 interface allows personal computers to easily interface with the standard "Arcade Quality" trackball and pushbuttons from Happ Controls via either the USB port or PS/2 connector without the use of any external power supply. This allows the user to replace the existing mouse with a Happ Controls heavy-duty trackball for public access and similar applications. The USB & PS/2 trackball can be added with or without removing the original mouse. The device will be automatically configured as soon as it is physically plugged into the USB port or hub, without the need to reboot or run Setup.



- Trackball has durable black polycarbonate plastic material
- 2-1/4" diameter ball (standard color white)
- Exceptional performance and precision is achieved from harden steel shafts
- Custom colors available
- No interface needed to connect the Happ Controls trackball to a PC
- Connects directly to either a PS/2 (mouse) port or a USB port on a PC
- Compatible with Windows 98™, Windows 2000™, Windows ME™, Windows XP™, and Apple Macintosh iMac™, Power PC™ with OS 8.5 or higher, Linux with USB HID support
- No external power supply needed
- Automatically detects whether it is connected to a PS/2 or a USB port and configures itself accordingly
- Comes with a 6-foot cable that plugs into a USB or a PS/2 port
- Supports up to three buttons. (Three-button functionality will require the use of a driver that supports three buttons. The standard MS driver supports only two, and the MAC OS supports only one).
- A wire harness is included which will connect to the Happ Controls Horizontal, Ultimate, Competition or Illuminated pushbuttons
- Includes both .187" and 250" terminal connectors for pushbuttons
- Pushbuttons and mounting plate kits are sold separately
- Made in USA
- The trackball is manufactured under a technology license agreement with Atari Games Corporation

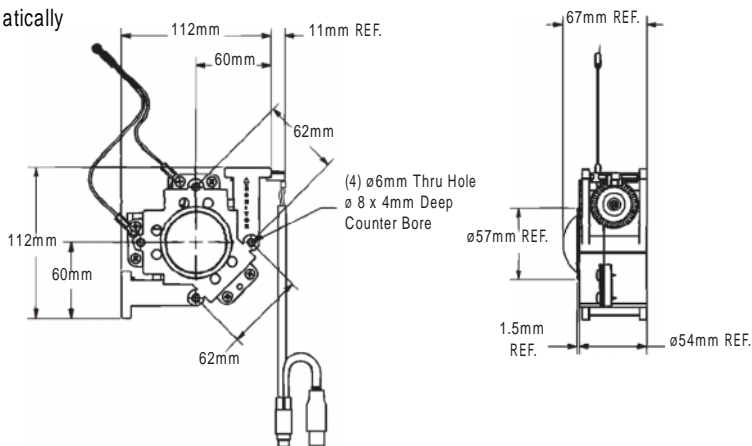


**Button Wire Color Code**  
 Left Button – Brown & Black wire  
 Middle Button - Orange & Black wire  
 Right Button - White & Black wire

### Benefits of USB:



- Hot Swapping Capability
- Multiple Peripheral, with the use of USB hubs, allows up to 127 different peripherals to be used at one time
- Moves Data at a High Speed
- Distributes electrical power to many peripherals. USB lets the PC automatically sense the power that's required and deliver it to the device. This feature eliminates the need for auxiliary power supplies
- Share Peripherals between PC Platforms
- Higher bandwidth
- Simplicity of use
- Built-in operating system support for devices



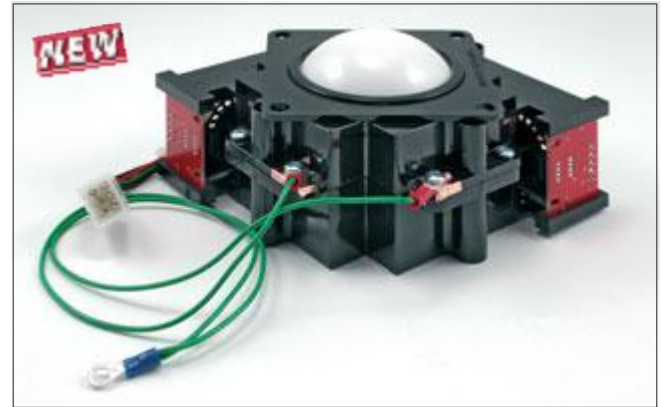
Part no.	Description
H56-5600-10	2-1/4" Trackball with USB and PS/2 interface, red solid
H56-5600-11	2-1/4" Trackball with USB and PS/2 interface, white solid
H56-5600-12	2-1/4" Trackball with USB and PS/2 interface, blue solid
H56-5600-16	2-1/4" Trackball with USB and PS/2 interface, black solid
H55-0203-00	2-1/4" Trackball mounting plate kit, painted black



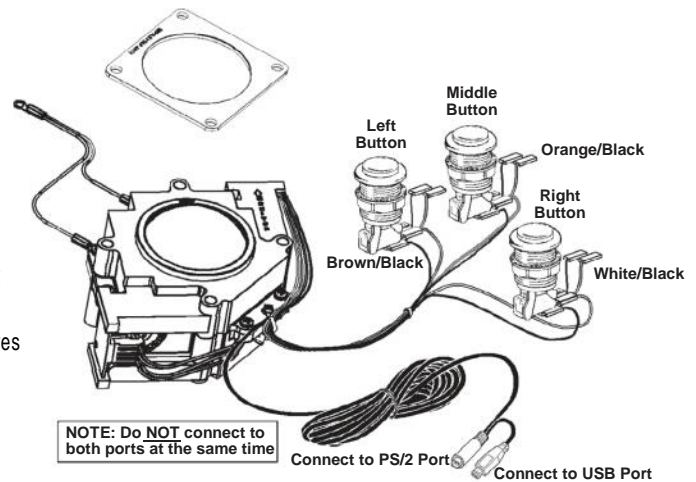
## 3" Trackball with USB & PS/2 Interface

### Features:

The Happ Controls 3" Trackball & USB and PS/2 interface allows personal computers to easily interface with the standard "Arcade Quality" trackball and pushbuttons from Happ Controls via either the USB port or PS/2 connector without the use of any external power supply. This allows the user to replace the existing mouse with a Happ Controls heavy-duty trackball for public access and similar applications. The USB & PS/2 trackball can be added with or without removing the original mouse. The device will be automatically configured as soon as it is physically plugged into the USB port or hub, without the need to reboot or run Setup.



- Trackball has durable black polycarbonate plastic material
- 3" diameter ball (standard color white)
- Exceptional performance and precision is achieved from harden steel shafts
- Custom colors available
- Translucent, illuminated ball optional (requires external 12vdc power source)
- No interface needed to connect the Happ Controls trackball to a PC
- Connects directly to either a PS/2 (mouse) port or a USB port on a PC
- Compatible with Windows 98™, Windows 2000™, Windows ME™ and Apple Macintosh iMac™, Power PC™ with OS 8.5 or higher, Linux with USB HID support
- No external power supply needed
- Automatically detects whether it is connected to a PS/2 or a USB port and configures itself accordingly
- Comes with a 6-foot cable that plugs into a USB or a PS/2 port
- Supports up to three buttons. (Three-button functionality will require the use of a driver that supports three buttons. The standard MS driver supports only two, and the MAC OS supports only one).
- A wire harness is included which will connect to the Happ Controls Horizontal, Ultimate, Competition or Illuminated pushbuttons
- Includes both .187" and .250" terminal connectors for pushbuttons
- Pushbuttons and mounting plate kits are sold separately
- Made in USA



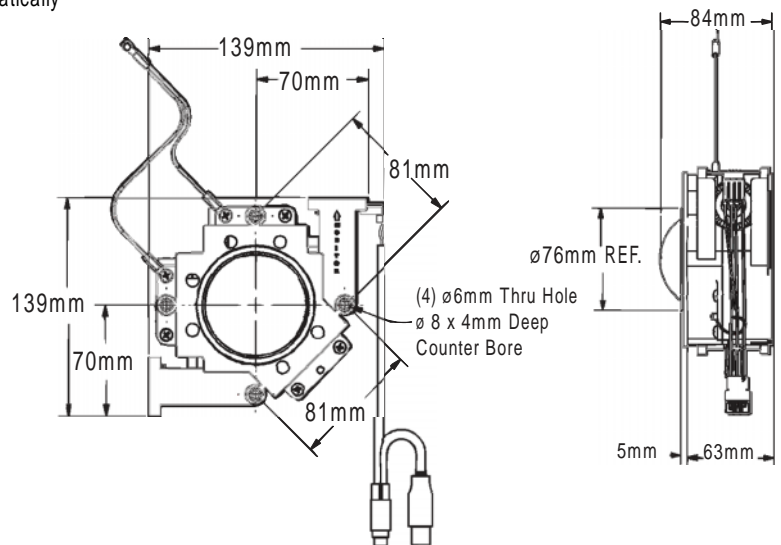
### Button Wire Color Code

- Left Button – Brown & Black wire
- Middle Button - Orange & Black wire
- Right Button - White & Black wire

### Benefits of USB:



- Hot Swapping Capability
- Multiple Peripheral, with the use of USB hubs, allows up to 127 different peripherals to be used at one time
- Moves Data at a High Speed
- Distributes electrical power to many peripherals. USB lets the PC automatically sense the power that's required and deliver it to the device. This feature eliminates the need for auxiliary power supplies
- Share Peripherals between PC Platforms
- Higher bandwidth
- Simplicity of use
- Built-in operating system support for devices



Part no.	Description
H56-0300-10	3" Trackball with USB and PS/2 interface red
H56-0300-10T	3" Trackball with USB and PS/2 interface red translucent
H56-0300-11	3" Trackball with USB and PS/2 interface white
H56-0300-12	3" Trackball with USB and PS/2 interface blue
H56-0300-12T	3" Trackball with USB and PS/2 interface blue translucent
H56-0300-16	3" Trackball with USB and PS/2 interface black
H55-1101-00	3" Trackball mounting plate kit, painted black
H55-1102-00	3" Trackball mounting plate kit, painted clear

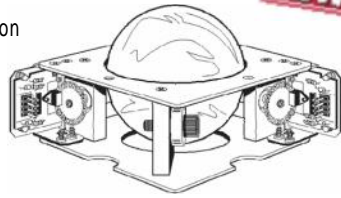
# Trackballs

www.leisureherrero.com



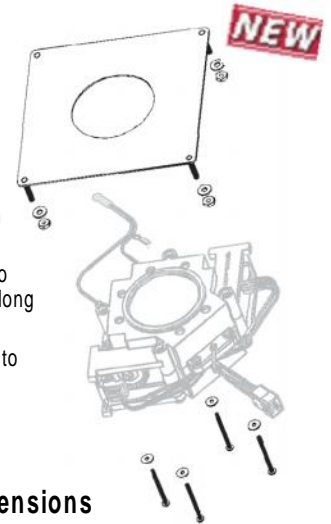
## 4-1/2" Trackball with USB & PS/2 Interface

- Made in U.S.A.
- Exceptional performance and precision
- Durable steel construction
- Allows a new dimension of play with this large trackball
- Custom color balls available
- Mounting hardware sold separately
- Ball sold separately
- USB-PS/2 version 55-0314-00

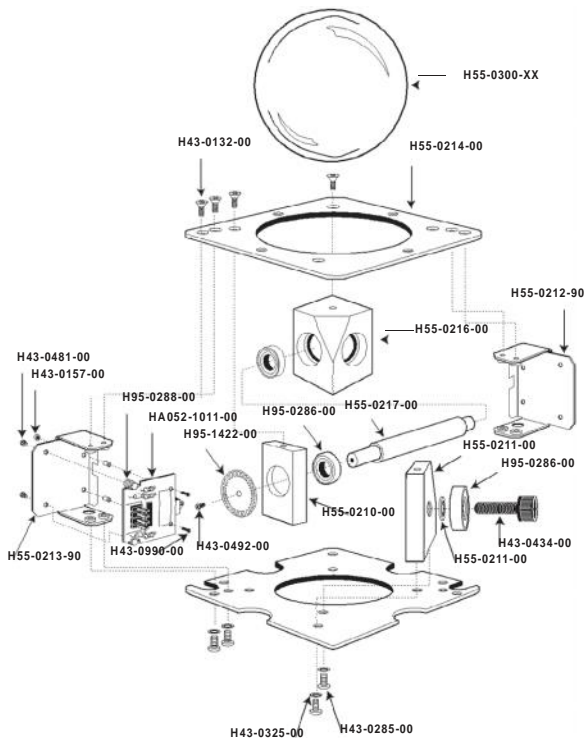
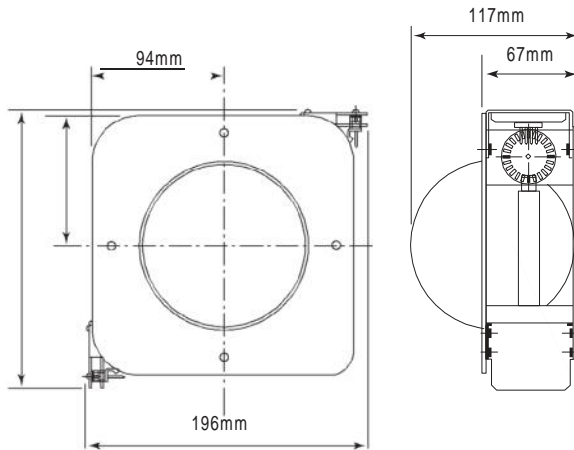


## Trackball Mounting Kits

- Metal mounting plate to adapt trackball to wood or metal control panels
- Available for 1-1/2", 2-1/4", 3" and 3" High Ball trackballs
- Durable Black River powder coated finish or Clear zinc finish available
- Innovative method of securing trackball to plate to allow for no external hardware along top surface of mounting plate
- Includes all necessary washers and nuts to assemble
- Trackball sold separately

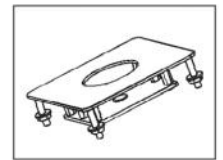
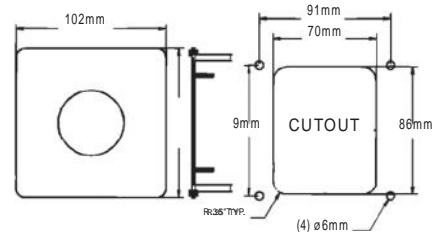


## 4-1/2" Trackball Mounting Dimensions



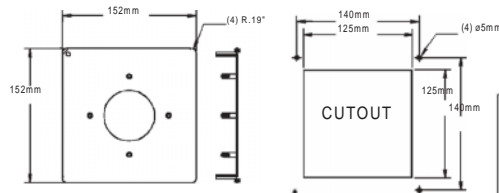
## Mounting Dimensions

### 1-1/2" Mounting Plate



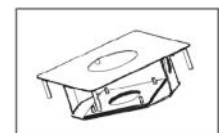
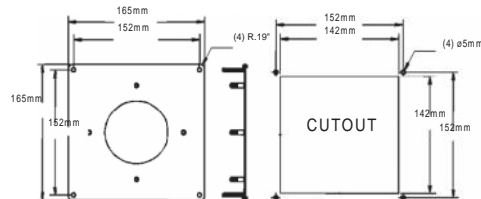
1-1/2" Kit Shown

### 1-1/2" Mounting Plate



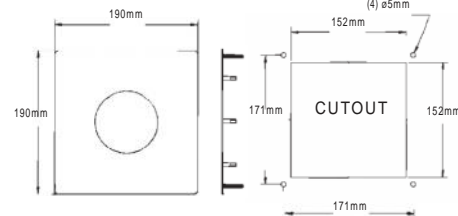
2-1/4", 3", & 3" Highball Kit Shown

### 1-1/2" Mounting Plate



3" Golden Tee & PGA Tour Kit Shown

### 3" Highball Mounting Plate

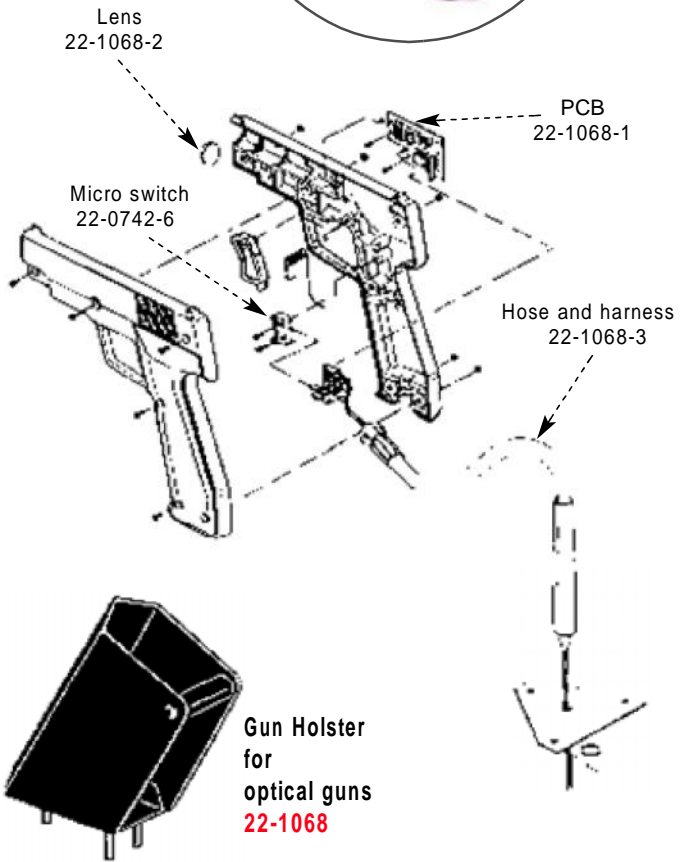
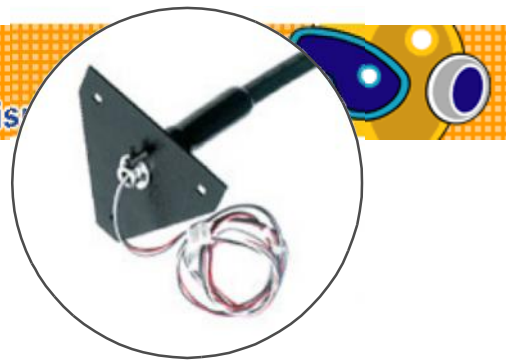


Part no.	Description
H55-0226-00	4-1/2" Trackball, W/O ball
H55-0314-00	4-1/2" Trackball, USB/PS/2, W/O ball
H55-0300-00	4-1/2" Trackball ball, red translucent
H55-0300-02	4-1/2" Trackball ball, blue translucent
H55-0300-03	4-1/2" Trackball ball, green translucent
H55-0300-05	4-1/2" Trackball ball, yellow translucent

Part no.	Trackball size	Finish
H55-0306-00	1-1/2"	Black
H55-0203-00	2-1/4"	Black
H55-0202-00	2-1/4"	Clear-zinc
H55-1101-00	3"	Black
H55-1102-00	3"	Clear-zinc
H55-0321-00	3"	Golden Tee PGA Tour version
H55-1103-00	3" High-ball	Black
H55-1104-00	3" High-ball	Clear-zinc

# Optical Guns

www.leis...



## Optical Gun

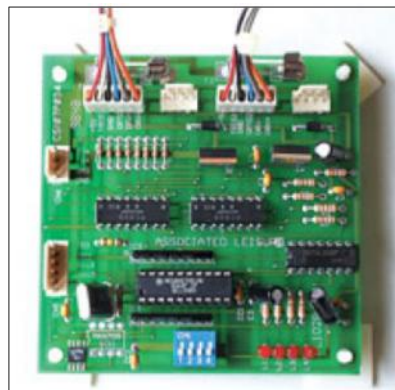
### Featuring:

- Steel armoured rubber hydraulic hose, length 44"
- Will replace industry standard guns
- Replacement for Konami "Lethal Enforcer"
- Reliable gold contact microswitch used on trigger switch
- Mounting plate to hose connection swivels

Part no.	Description
22-1067-2	Red optical gun
22-1067-6	Blue optical gun
22-1068	Gun holster

Part no.	Description
22-1070-2	Red optical gun assembly for ATARI Area 51 & maximum force adaptor

Part no.	Description
22-1070-6	Blue optical gun assembly for ATARI Area 51 & maximum force adaptor



## Recoil SF-X Optogun Kit + Controller Board

### Contents:

- 2 Guns (pink/blue)
- Control PCB
- Connection cables x4
- Installation instructions
- Replacement for Virtual Cop & Sega games

Part no.	Description
22-1069	Optical gun set

# Optical Guns

www.leisureherrero.com



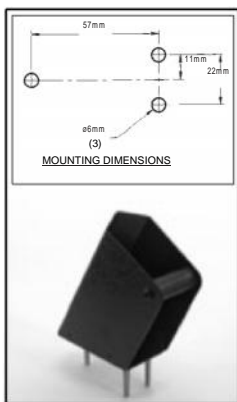
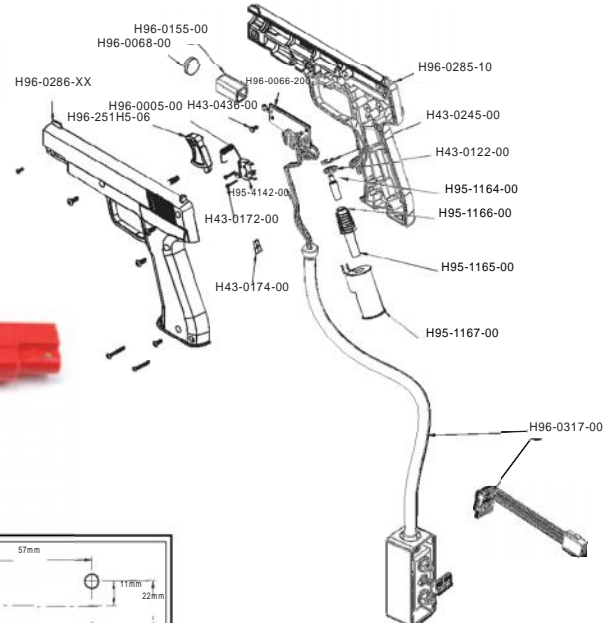
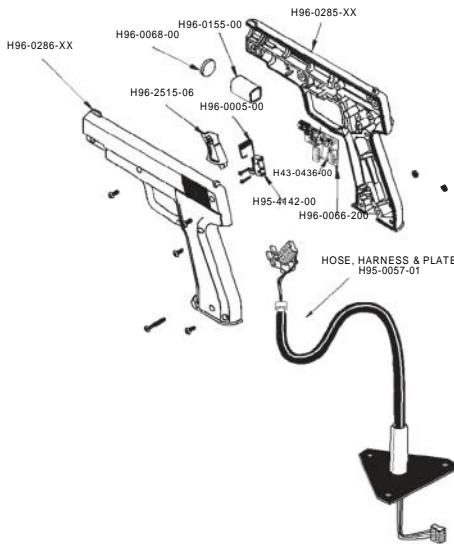
## 45 Cal. Optical Gun

- Made in the U.S.A.
- Utilizes the Type II gun halves
- New optic PCB has innovative optic can holder that securely holds the optic in place and prevents breakage of optic legs due to shock
- Easier disassembly and assembly of gun via brass inserts inside gun, no nuts
- **Now** with durable rubber hose
- Innovative "inductorless" optic sensor board for increased reliability and accuracy
- Overall length of hose is 112cm
- Will replace industry standard guns
- Reliable GOLD contact microswitch used on trigger switch
- Gun holster also available (96-0750-16)
- Mounting plate to hose connection swivels
- Various colours available



## 45 Cal. Optical Gun with Recoil

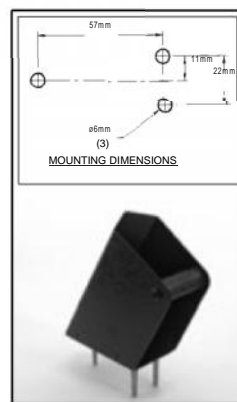
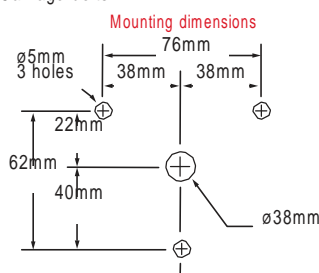
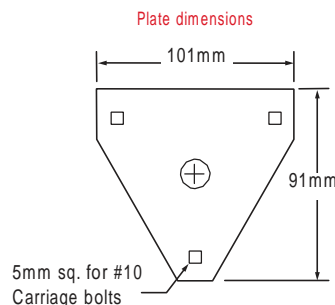
- Made in the U.S.A.
- Solenoid inside of gun activates to provide realistic feel
- Driver circuitry required to operate solenoid
- Solenoid ON time: 35ms 10% duty cycle, +24vdc (3 Amps Max)
- Utilizes the Type II gun halves
- New optic PCB has innovative optic can holder that securely holds the optic in place and prevents breakage of optic legs due to shock
- Easier disassembly and assembly of gun via brass inserts inside gun
- Innovative "inductorless" optic sensor board for increased reliability and accuracy
- **Now** with durable rubber hose
- Overall length of hose is 112cm
- Reliable GOLD contact microswitch used on trigger switch
- Gun holster also available (96-0750-16)
- Mounting plate to hose connection swivels
- Optional button function can be added
- Various colours available



Gun Holster  
(P/N 96-0750-16)  
For use with optical gun

### COLOUR CODE

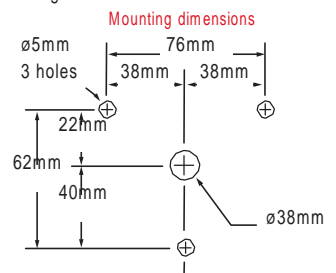
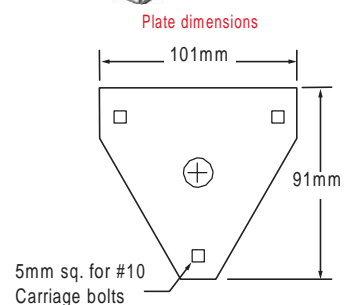
- XX = Colour
- |             |                  |
|-------------|------------------|
| 10 = Red    | 20 = Deep Purple |
| 12 = Blue   | 112 = Baby Blue  |
| 13 = Green  | 119 = Pink       |
| 17 = Orange |                  |



Gun Holster  
(P/N 96-0750-16)  
For use with optical gun

### COLOUR CODE

- XX = Colour
- |             |                  |
|-------------|------------------|
| 10 = Red    | 20 = Deep Purple |
| 12 = Blue   | 112 = Baby Blue  |
| 13 = Green  | 119 = Pink       |
| 17 = Orange |                  |



Part no.	Description
H96-2300-XX	45 Cal. Happ controls optical gun assembly with rubber hose
H96-0750-16	Gun holster, black

Part no.	Description
H96-2700-XX	45 Cal. Happ controls optical gun assembly with recoil
H96-0750-16	Gun holster, black