



No. 65-0100-090

\* Specify coinage for label and entry button size

## Mini Door

### Featuring:

- Sturdy one piece diecast metal frame.
- Heavy duty 16 gauge drawn steel door.
- Standard Industry mounting dimensions.
- Including mounting hardware.
- Black finish.
- Optional: Fitted with plastic cash box in metal enclosure.
- With coin insert, return cup and snap-in mech holder as shown for small 3-1/2" mechanical coin mechs.
- One or two entries,
- Available cut-out for: Mars - NRI - S.E.C.I. - CC electronic coin validators.

(Without coin mech)



No. 65-0200-090

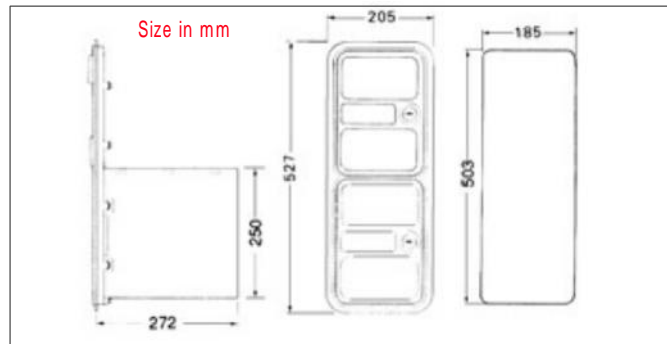
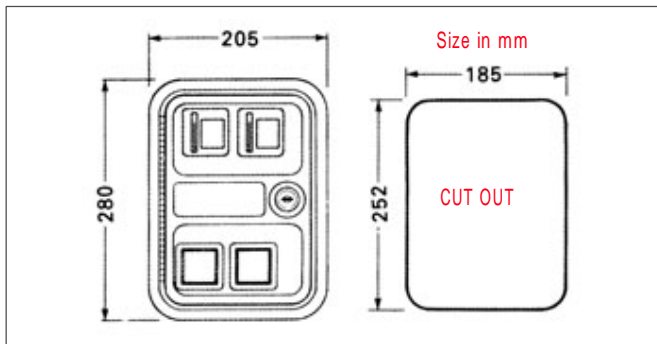
## Double Mini Door

### Featuring:

- Sturdy one piece diecast metal frame.
- Heavy duty 16 gauge drawn steel door.
- Standard Industry mounting dimensions.
- Including mounting hardware.
- Black finish.
- Optional: Fitted with plastic cash box in metal enclosure.
- With coin insert, return cup and snap-in mech holder as shown for small 3-1/2" mechanical coin mechs.
- One or two entries,
- Available cut-out for: Mars - NRI - S.E.C.I. - CC electronic coin validators.
- Used in many Namco and Sega games, check sizes.

(Without coin mech)

\* Specify coinage for label and entry button size

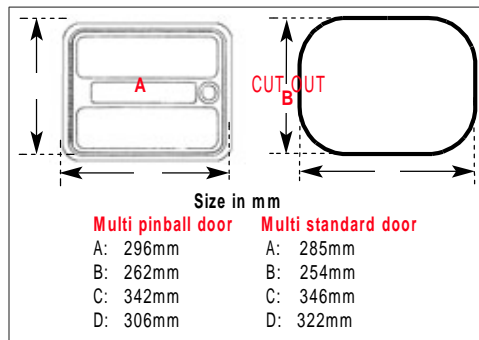


Part no.	Description
65-0100-000	Blanc door (no holes)
65-0100-090*	One entry mechanical acceptors
65-0100-990*	Two entries mechanical acceptors
65-0100-010	Cut-out CC validator
65-0100-040	Cut-out Mars validator
65-0100-070	Cut-out NRI / S.E.C.I. validator

Part no.	Description
65-0200-090*	One entry mechanical
65-0200-909*	Two entries mechanical
65-0200-010	Cut-out CC validator
65-0200-040	Cut-out Mars validator
65-0200-070	Cut-out NRI / S.E.C.I. validator



No. 65-0600-090



No. 65-0300-090

## Multi Pinball Door

Used in many Williams Pinballs, check sizes.

### Featuring:

- Sturdy one piece die cast metal frame.
- Heavy 16 gauge steel door.
- Used in most pinballs.
- Including mounting hardware.
- Black finish.
- Available cut-out for: Mars - NRI - S.E.C.I. - CC electronic coin validators.

(Without coin mech)

Part no.	Description
65-0600-010	Cut-out CC validator
65-0600-040	Cut-out Mars validator
65-0600-070	Cut-out NRI / S.E.C.I. validator
65-0600-090*	Pinball door 1 entry

## Multi Standard Door

- Used in many Data-East/Sega and Gottlieb Pinballs, check sizes.

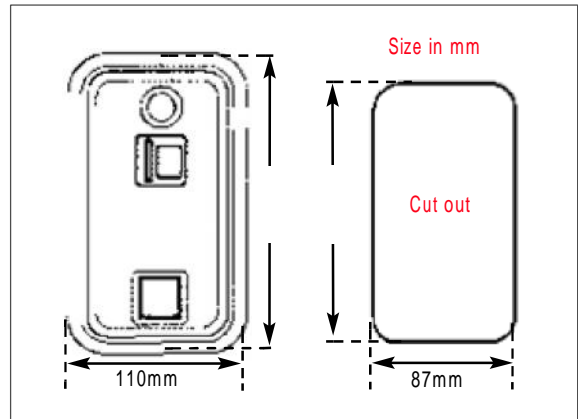
\* Specify coinage for label and entry button size.

Part no.	Description
65-0300-090*	One entry mechanical acceptors
65-0300-909*	Two entries mechanical acceptors
65-0300-999*	Three entries mechanical acceptors
65-0300-010	Cut-out CC validator
65-0300-040	Cut-out Mars validator
65-0300-070	Cut-out NRI / S.E.C.I. validator



## Rectangular Mini Door

- Sturdy one piece die cast metal frame.
- Mounts all 3-1/2" mechs and validators.
- Exclusive "snap-in" mech holder design.
- Illuminated coin denomination reject button.
- Optional with separator for multicoin validator, like NRI - CC and Mars.



Part no.	Description
65-0800-090*	Rectangular door + entry
65-0800-XXX	Specify cut-out validator type

\* Specify coinage for label and entry button size



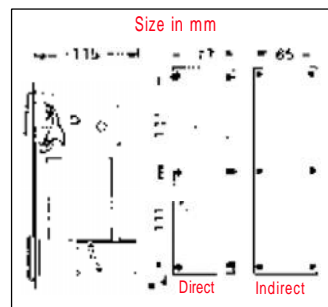
## Front Plate Assembly

Direct or indirect reject

### Features:

- Industry standard mounting dimensions.
- Mounts all 3-1/2" mechs and validators.
- Exclusive "snap-in" mech. holder design.
- Illuminated coin denomination reject button.
- Optional with coin-separator for multicoin validator.
- Available with direct or indirect reject.
- Also available for CashFlow with 5 way separator.

(Rejector not included.)



Part no.	Description
62-0100	Direct reject
62-0200	Indirect reject
62-0300	With separator direct reject
62-0400	With separator vertical



## Protec-Doors

Protec-doors are the proven alternative to bars, padlocks and alarms for preventing theft from coin-op games.

- RF series for medium security applications.
- HS series for high security applications.

### Features include:

- Operation by one or two key holders.
- Operation by any length of cam lock.

Full specifications available on request.



## Edge Connectors

- Used in most video games.

Part no.	Description
22-0860-10	2 x 10 pins
22-0860-18	2 x 18 pins
22-0860-22	2 x 22 pins
22-0860-28	2 x 28 pins
22-0860-36	2 x 36 pins

**NEW**



## Jamma Cable Assemblies

- Labeled for ease of identification.
- Universal design for 3 player games.
- 13cm length - fits any cabinet **Jamma Cable**.
- Jamma edge connection with wires for power, speakers, coin switches, start switch and controls **Super Jamma Cable**.
- Same as Jamma Cable but complete with 51mm. long Molex connected control panel harness with .187" connectors.

Part no.	Description
H80-5100-00	"Jamma" Cable
H80-5000-00	Super "Jamma" Cable



## P.C.B. Feet

- Available for single, double or triple layer PCB's.
- Sets of 4 pieces, complete with screws.

Part no.	Description
22-0064	PCB feet



## License Window with frame

- Designed for gaming machines.
- Used for license on the outside of your game.
- Die cast frame: 58 x 100mm.
- Window opening: 38 x 80mm.

Part no.	Description
22-2210	License window
22-2212	License window only

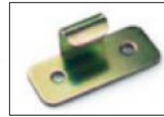


## Panel Clamp

Featuring:

- Universal strike - mounts flat or right angle.
- Two different brackets available (specify).

Part no.	Description
22-1016	Panel clamp
22-1016-1	Strike flat
22-1016-2	Strike 90 degrees



## P.C.B. Mounting Bracket

- With this simple, but extremely effective mounting bracket, you can fit and refit any size up to 35 cm PCB into your cabinet.
- With simple adjustment you can release or fit a board in seconds.
- Ten fixing holes mount it directly onto the inside of the cabinet.

Part no.	Description
22-2800	Mounting bracket



## Document Tray Vertical

- To keep your documents together with your machine.
- Effective size: 225 x 220mm.

Part no.	Description
22-0196	Document tray vertical



## Document Tray Horizontal

- To keep your documents together with your machine.
- Effective size: 310 x 135mm.

Part no.	Description
22-0198	Document tray horizontal

**NEW**



## Zero Charge Screen and Keyboard Cleaner

- Eliminates static charge.
- Excellent cleaning action.
- Non-streaking.
- Non-abrasive.
- Fast drying.
- 50 pcs in a box.

Applications:

- CRT's, keyboards, office equipment, glass, monitors and point-of-sale terminals.

Part no.	Description
H29-0059-00	Screen and keyboard cleaner



## Cabinet Grip

- Developed for use on the back of your cabinet.
- Overall size: W 145 x H 60mm.
  - Grip size: 110 x 40mm.
  - Colour black.

Part no.	Description
22-0199	Cabinet grip



## Cabinet Grip

- Developed for use on the back of your cabinet.
- Overall size: L x H x D= 70 x 133 x 73mm.
  - Colour black.

Part no.	Description
22-0197	Cabinet grip



## Black Edging Trim

Sold per 30mtr reel.

Part no.	Description
22-0096	Black edging trim



## Flexible Tube

- For coin distribution.
- AWP machines, etc.

Part no.	Description
22-0194	Flexible tube rol 25 mtr
22-0194-100	Flexible tube per mtr

SUNON.



## Cooling Fans 220VAC

- Protects electronics for over heating.
- Easy mounting with 4 bolts.

Part no.	Description
22-2204	Size: 120 x 120 x 38mm, terminal connection Speed: 3000 RPM, noise: 45dB(A) Air delivery: 95/115 CFM
22-2204-2	Size: 92 x 92 x 25mm, terminal connection Speed: 2500 RPM, noise: 37dB(A) Air delivery: 29/36 CFM
22-2204-7	Size: 80 x 80 x 38mm, wire connection Speed: 2500 RPM, noise: 33dB(A) Air delivery: 23/30 CFM



SUNON.



## Cooling Fan VDC

- Compact cooling fans.
- Wire connection.

Part no.	Description
22-2204-6	12VDC, Size: 80 x 80 x 25mm Speed: 3000 RPM, noise: 33dB(A) Air delivery: 40 CFM
22-2204-8	24VDC, Size: 80 x 80 x 25mm Speed: 3000 RPM, noise: 34dB(A) Air delivery: 41.7 CFM
22-2204-9	12VDC, Size: 60 x 60 x 25mm Speed: 4500 RPM, noise: 34dB(A) Air delivery: 21.7 CFM



## Finger Guards for Cooling Fans

Part no.	Description
22-2208-60	Finger guard 60 x 60mm
22-2208-80	Finger guard 80 x 80mm
22-2208-90	Finger guard 90 x 90mm
22-2208-120	Finger guard 120 x 120mm



## Swivel Castor

- General purpose castor with ball bearings.
- Steel construction.
- Nylon wheel ø41mm.
- Effective height 54mm.

Part no.	Description
22-3860	Castor general purpose



## Swivel Castor

- Heavy duty, high quality swivel castor with ball bearings.
- Steel construction.
- Nylon wheel ø60mm.
- Effective height 75mm.

Part no.	Description
22-3861	Castor heavy duty



## Machine Plateau

- Easy moving AWP machines for cleaning and service.
- Furnished with black rubber on top and four castors.

Part no.	Description
126-0050	Machine plateau



## Swivel Castor 50 x 17mm

Part no.	Description
126-0040	Swivel castor
126-0041	Swivel castor with brake

# Cashboxes / Return Cups

www.leisureherrero.com



**Plastic Cashbox Large**

- Capacity approx. 1250 €1.00 coins.
- Made from durable black polyethylene plastic.

Part no.	Description
126-0020	Cashbox



**Plastic Cashbox Slim**

- Made from ABS plastic.
- Overall size: (LxWxH) 236 x 80.5 x 209mm.

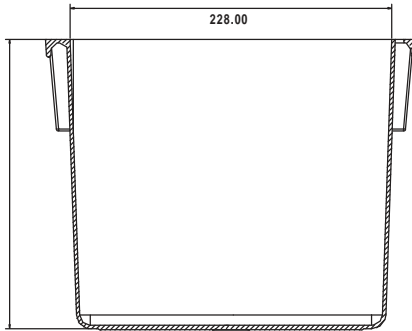
Part no.	Description
22-2402	Cashbox



**Plastic Cashbox**

- Made from polysterene plastic.
- Overall size: (LxWxH) 280 x 83 x 43

Part no.	Description
22-2405	Cashbox



**Plastic Cashbox**

- Made from ABS plastic.
- Overall size: (LxWxH) 290 x 260 x 115mm.

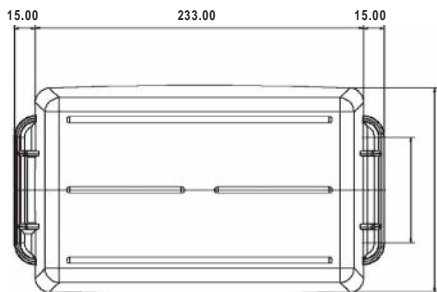
Part no.	Description
22-2403	Cashbox



**Plastic Cashbox**

- Made from ABS plastic.
- Overall size: (LxWxH) 188 x 78 x 59.5mm.

Part no.	Description
22-2406	Cashbox



**Plastic Cashbox**

- Made from polysterene plastic.
- Overall size: (LxWxH) 280 x 126 x 116mm.

Part no.	Description
22-2404	Cashbox



**Plastic Cashbox**

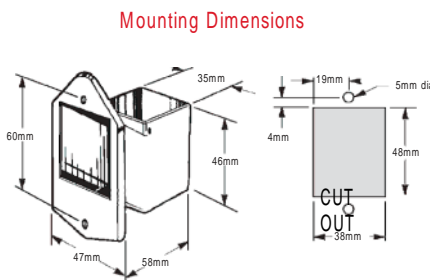
- Made from ABS plastic.
- Overall size: (LxWxH) 203 x 165 x 89mm.

Part no.	Description
22-2407	Cashbox



**Coin Return Cup**

- Heavy-duty chrome or gold plated die cast construction



Part no.	Description
H42-0259-00	Coin return cup w/o door, chrome



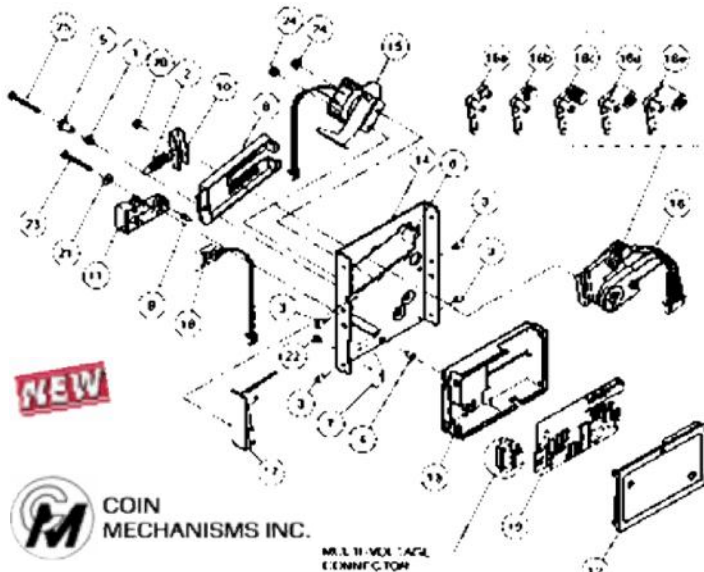
**Vending/Jackpot Tray**

- Tray size 240x72mm, frame size 245x102mm.
- Made from diecast material, chrome plated.

Part no.	Description
22-3850	Vending / Jackpot tray

# Coin Comparitors

www.leisureherrero.com



MULTI-VOLTAGE  
E.E.N.M.F.C.F.O.R.

## MC 16, 40, 62 Coin Comparitor (Old CC-46)

Item	Part no.	Ref. no.	Quantity	Description
1	H35-0277-00	04050027	1	Compression spring
2		04050031	1	Extension spring, Coil locking
3		04060005-01	4	#6 Mounting Stud
4		04060036	1	Ins, Nut, #4-40
5	H35-0276-00	04060052-01	1	Bushing, Spring Retaining
6	H35-0284-00	04660002	1	Stop, Sensing Coil Safety
7	H35-0223-00	04660021	1	Spacer, Coin Exit, .155
8	H35-0278-00	04660030	1	Shield, Sensor Coil Retainer
9	H35-0407-00	04660034-02	1	Pin, Coin Deflector
10	H35-0526-00	04660062-01	1	Bracket, Coil Locking
11		04660173	1	PCB Optics Housing
12	H35-0179-00	04660165	1	Cover, PCB Housing
13		04660166	1	Housing, PCB, Universal
14		04660169-05	1	Mainplate, Double Optic
15	H35-0281-12	06250001	1	Coil & Bracket Assembly, Green
16		06250153	1	Sensor Coil Assy for Model 66460032
16		06250159	1	Sensor Coil Assy for Models 66460027, 66460034
16		06250167	1	Sensor Coil Assy for Models 66460011, 66460013, 66460015, 66460017, 66460019, 66460025, 66460029, 66460031
16		06250168	1	Sensor Coil Assy for Model 66460023
16		06250173	1	Sensor Coil Assy for Model 66460021
16		06250184	1	Sensor Coil Assy for Model 66460037
16a	H35-0043-00	04060005-01	-	Dampner weight only, 0.7 gram
16b	H35-0513-00	04060038-01	-	Dampner weight only, 2.6 gram
16c	H35-0042-00	04060039-01	-	Dampner Weight Only, 6 gram
16d	H35-0256-20	04060080-02	-	Dampner Weight Only, 12 gram
16e	H35-0040-00	04060040-01	-	Dampner Weight Only, 14.26 gram
17	H35-0207-00	06660038	1	Rail assembly
18		09270358	1	PCB, Comp, Security
19	H35-0119-00	0927-000293	1	PCB Control Board for Models 66460011, 66460021, 66460023, 66460037
19		0927-000236	1	PCB Control Board for Models 66460013, 66460027
19		0927-000237	1	PCB Control Board for Model 66460015
19		0927-000240	1	PCB Control Board for Model 66460017
19		0927-000241	1	PCB Control Board for Models 66460019, 66460034
19		0927-000247	1	PCB Control Board for Model 66460025
19		0927-000249	1	PCB Control Board for Model 66460029
19		0927-000254	1	PCB Control Board for Model 66460031
19	H35-0199-00	0927-000261	1	PCB Control Board for Model 66460032
20		436-4	1	Nut, 4-40, Hex, Keys
21	H35-0270-00	600-4	1	Washer, Flat, #4
22	H35-0254-00	P-104-4-3	1	Screw, 4-40 x 3/16, Phillips, PH, MS
23		P-104-4-11	1	Screw, 4-40 x 11/16, Phillips, PH, MS
24	H43-1146-00	P-186-4-3	2	Screw, 4-40 x 3/16, PhilSq, washer
25	H43-1147-00	P-221-4-12	1	Screw, 4 x 3/4, Phillips Type 45Plastite

Note: all parts are available, please inquire



## Coin Comparitor Harnesses

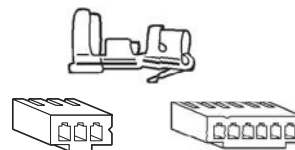
Part no.	Description	Ref. no.
H35-0142-00	220 Ohm Resistor	06280018
H35-0229-00	Multi-line for CC-16	06280001
H35-0230-00	Loop for CC-16 for IGT	09280044
H35-0232-00	12VDC Inhibit	09280034
H35-0215-00	CC-33 / CC-37	09280005
H35-0350-20	CC-40	06280062
H35-0233-00	CC-16 for Bally	-



## Acceptor Mounting Clip

- Made of 6/6 nylon
- Natural colour

Part no.	Description
119-0030	Acceptor mounting clip



## JST Plugs and Pins

- For all comparitors

Part no.	Ref. No.	Description
H35-0214-00	XHP-2	2-Post Housing
H35-0212-00	XHP-3	3-Post Housing
H35-0213-00	XHP-5	5-Post Housing
H35-0226-00	XHP-6	6-Post Housing
H35-0228-00	XHP-7	7-Post Housing
H35-0247-00	S2B-XHA	2-Base and Post
H35-0225-00	S3B-XHA	3-Base and Post
H35-0334-00	S4B-XHA	4-Base and Post
H35-0335-00	S5B-XHA	5-Base and Post
H35-0245-00	S6B-XHA	6-Base and Post
H35-0244-00	S7B-XHA	7-Base and Post
H35-0218-00	-	100 Comparitors Pins for XHP housings



## Comparator Universal Test Station II

- A must for every casino!
- Used to test, adjust and trouble shoot all Coin Comparitors.
- Switches can be toggled to simulate a machine's inhibit control lines, display output signals such as sense, credit and tilt, that can be viewed on the two numerical displays and also on a dual-colour LED.
- Includes two 3-digit 7-segment counter displays which measures output signals in milliseconds and seconds.
- Each test station includes: Your choice of 1 -Comparator Interface Wire Harness (call for list of available harnesses) and 1 set of test leads, additional harnesses can be purchased separately.
- Optional VHS training video available.
- All output signals can be viewed individually or simultaneously.
- Signals can be measured accurately up to 15 minutes
- One display doubles as a coin counter whereby false crediting or numerous crediting can be detected.
- Can be used with 3 different voltages 12VDC, 24VDC and 24VAC
- Ref. No. 00660011

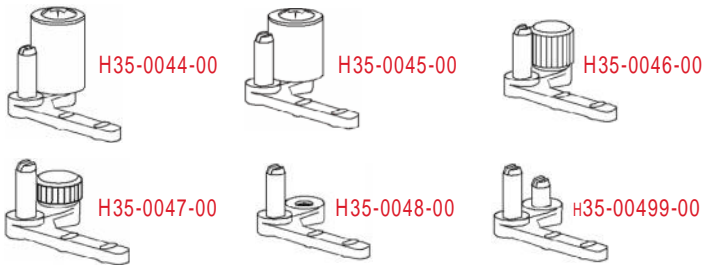
Part no.	Description
H35-0750-00	Comparator Universal Test station II

# Coin Comparitors

www.leisureherrero.com



## Dampner Weight Assemblies for Coin Comparitors



Part no.	Ref. no.	Dampner	Coinage	Coin Weight Range
H35-0048-00	06660024	No weight	Small coins / tokens	1.5 to 1.9 grams
H35-0049-00	06660051	0.7 grams	\$.01, \$.10	2.0 to 2.9 grams
H35-0047-00	06660012	2.6 grams	\$.05, \$.25	3.0 to 6.0 grams
-	06660101	4 grams	Canadian \$.25 (New & Old)	4.5 grams
H35-0046-00	06660013	6.0 grams	\$.25, token	5.5 to 7.4 grams
-	06660102	9 grams	Canadian \$.1.00	7 grams
H35-0045-00	06660046	12.0 grams	Australian Dollar	7.5 to 10.4 grams
H35-0044-00	06660014	14.2 grams	\$.50, \$ game tokens	10.5 and up grams
<b>Damper weights only</b>				
H35-0043-00	04060005-01	0.7 grams	\$.01, \$.10	2.0 to 2.9 grams
H35-0513-00	04060038-01	2.6 grams	\$.05, \$.25	3.0 to 6.0 grams
H35-0042-00	04060039-01	6.0 grams	\$.25, token	5.5 to 7.4 grams
-	04060084-02	4 grams	Canadian \$.25 (New & Old)	4.5 grams
-	04060083-02	9 grams	Canadian \$.1.00	7 grams
H35-0050-00	04060080-02	12.0 grams	Australian Dollar	7.5 to 10.4 grams
H35-0040-00	04060040-01	14.2 grams	\$.50, \$ game tokens	10.5 and up grams



## WESCO Slot Machine Mover

- Ideal for raising, lowering and moving slot machines
- Easily raises slot machine from floor to slot stand or lowers it from slot stand to floor
- Foot operated hydraulic pump raises platform 54" high, foot release lowers platform
- Reduces risk of moving injuries
- Four-wheel dolly with front swivel casters
- Extra large platform 55 D x 55 W sits 14.75cm above floor
- Wheel locks standard
- 340kg capacity
- Steel frame construction
- Lift height: 137cm; overall height 154cm; 57cm wide
- Rear wheels 20 x 5cm with 2cm ball bearings
- 9cm diameter polyurethane ball bearing front swivel casters
- Weight: 74kg



## Coin Comparitor Circuit Boards



Part no.	Ref.no.	Description
H35-0102-00	09270144	Control board for 66160056
H35-0038-00	09270118	CC-16D 12VDC
H35-0039-00	09270145	CC-16D 12VDC with inhibit
H35-0034-00	09270126	CC-16D 24VAC
H42-7278-00	09270171	CC-16 13VDC with inhibit
H35-0058-00	09270189	CC-32/CC-36 13VDC with inhibit
H35-0217-00	09270250	CC-33/CC-37 24VAC
H35-0350-10	50660018	CC-40 Conversion kit
H35-0350-00	09270128	CC-40

Part no.	Description
H33-1259-00	Wesco slot machine mover
H33-1268-00	Replacement hydraulic jack
H33-1286-00	Rubber wheel
H33-1287-00	Caster
H33-1289-00	Replacement spring and seal kit



## Wire Saver

- STOP pulling wires out of connectors
- Prevents slot techs from pulling wires out of the coin comparator connectors
- Simply slip wire saver over the connector before attaching the wire harness to the coin comparator

Part no.	Description
H35-0141-00	Coin comparator wire saver



## DeLuxe Moving Pad

- Heavy-duty all cotton pad
- Will not scratch equipment
- Quilted together by a 2cm locking stitch in a lazy "S" pattern
- Double stitched binding for long life
- Size: 180 x 203cm
- Colour: blue / blue

Part no.	Description
H33-1185-00	Deluxe moving pad